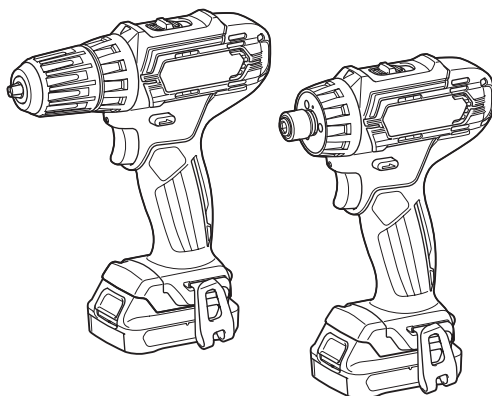




EN	Cordless Driver Drill	INSTRUCTION MANUAL	5
SV	Sladdlös bormaskin	BRUKSANVISNING	11
NO	Batteridrevet borskru trekker	BRUKSANVISNING	17
FI	Akkuporakone	KÄYTTÖOHJE	23
LV	Bezvada skrūvgriezis-urbjmašīna	LIETOŠANAS INSTRUKCIJA	29
LT	Akumuliatorinis grąžtas	NAUDOJIMO INSTRUKCIJA	35
ET	Juhtmeta trell-kruvikeeraja	KASUTUSJUHEND	41
RU	Аккумуляторная дрель-шуруповерт	РУКОВОДСТВО ПО ЭКСПЛУАТАЦИИ	47

DF333D
DF033D



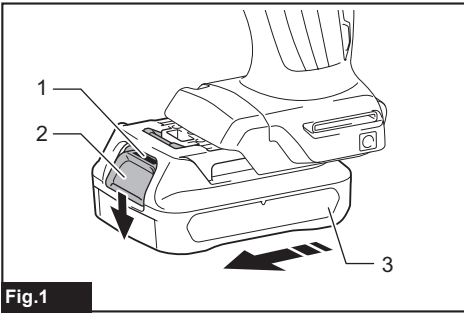


Fig.1

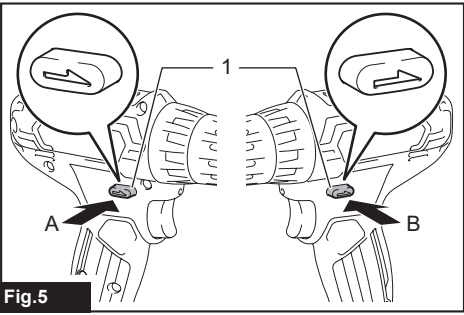


Fig.5

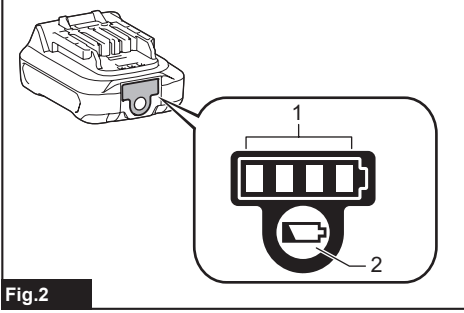


Fig.2

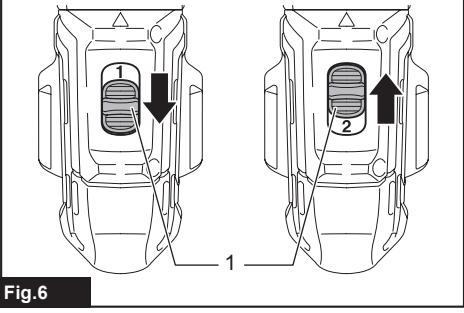


Fig.6

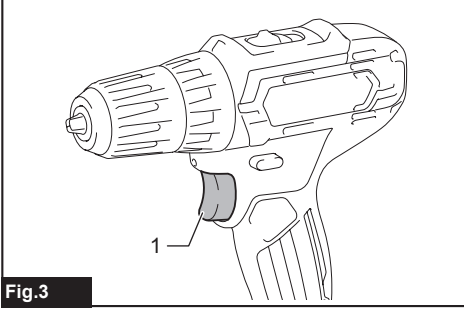


Fig.3

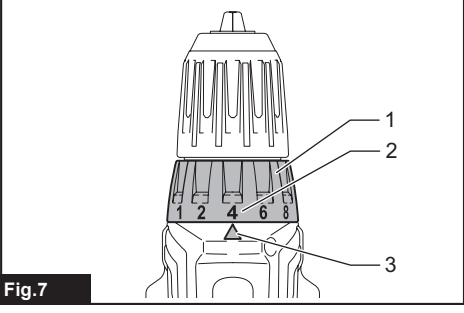


Fig.7

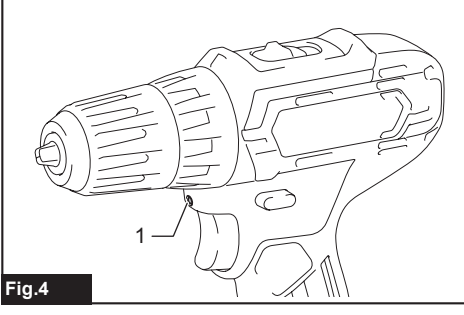


Fig.4

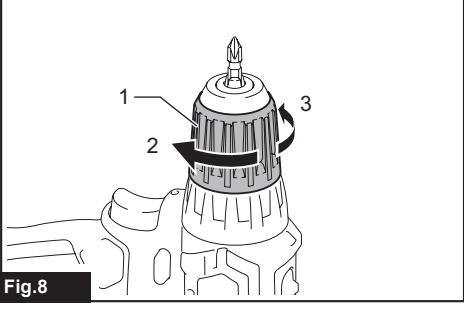


Fig.8

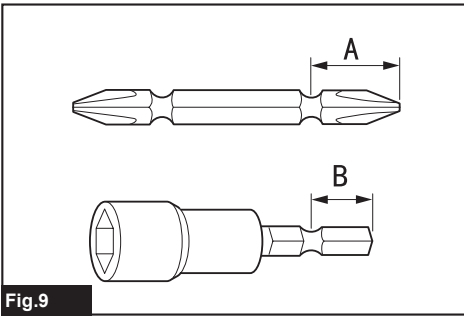


Fig.9

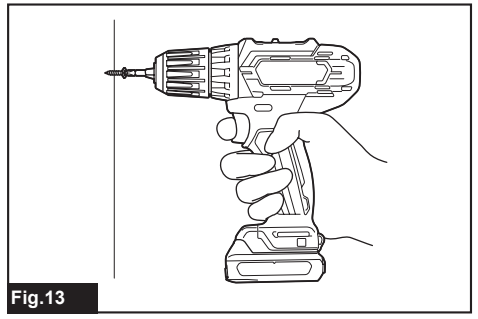


Fig.13

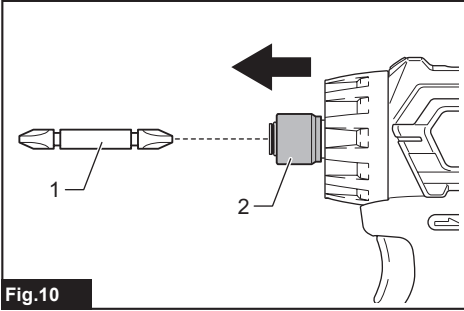


Fig.10

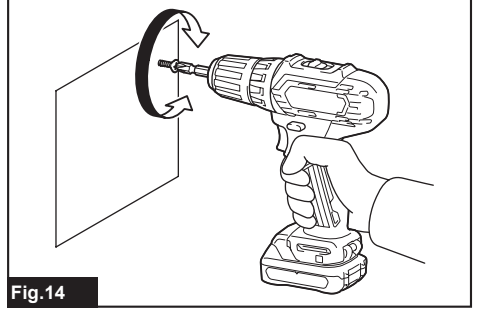


Fig.14

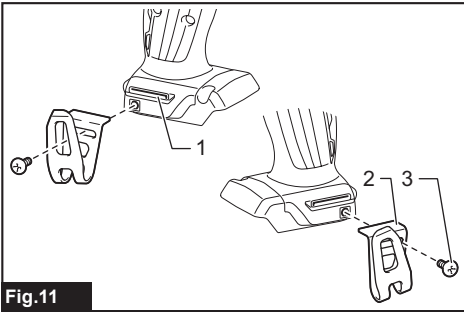


Fig.11

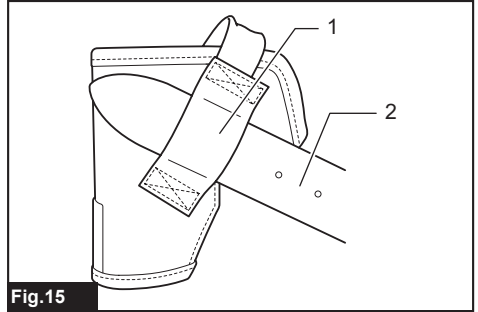


Fig.15

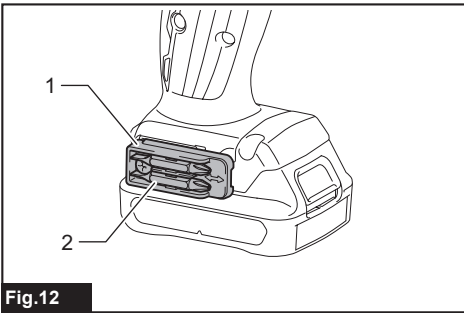


Fig.12

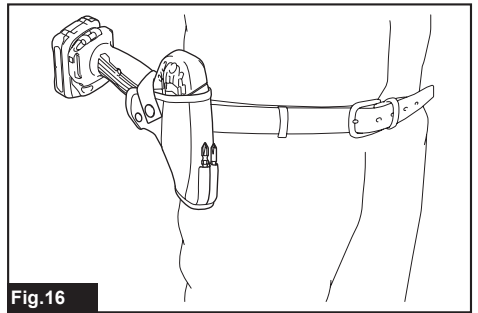


Fig.16

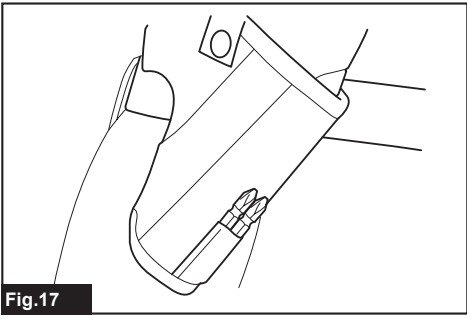


Fig.17

SPECIFICATIONS

Model:		DF333D	DF033D
Drilling capacities	Steel	10 mm	
	Wood	21 mm	
Fastening capacities	Wood screw	5.1 mm x 63 mm	
	Machine screw	M6	
No load speed	High (2)	0 - 1,700 min ⁻¹	
	Low (1)	0 - 450 min ⁻¹	
Overall length		179 mm	149 mm
Rated voltage		D.C. 10.8 V - 12 V max	
Net weight		1.1 - 1.2 kg	0.93 - 1.1 kg

- Due to our continuing program of research and development, the specifications herein are subject to change without notice.
- Specifications may differ from country to country.
- The weight may differ depending on the attachment(s), including the battery cartridge. The lightest and heaviest combination, according to EPTA-Procedure 01/2014, are shown in the table.

Applicable battery cartridge and charger

Battery cartridge	BL1015 / BL1016 / BL1020B / BL1021B / BL1040B / BL1041B
Charger	DC10SA / DC10SB / DC10WC / DC10WD / DC18RE

- Some of the battery cartridges and chargers listed above may not be available depending on your region of residence.

⚠ WARNING: Only use the battery cartridges and chargers listed above. Use of any other battery cartridges and chargers may cause injury and/or fire.

Intended use

The tool is intended for drilling and screw driving in wood, metal and plastic.

Noise

The typical A-weighted noise level determined according to EN62841-2-1:

Model DF333D

Sound pressure level (L_{pA}): 70 dB(A) or less
Uncertainty (K): 3 dB(A)

The noise level under working may exceed 80 dB (A).

Model DF033D

Sound pressure level (L_{pA}): 70 dB(A) or less
Uncertainty (K): 3 dB(A)

The noise level under working may exceed 80 dB (A).

⚠ WARNING: Wear ear protection.

Vibration

The vibration total value (tri-axial vector sum) determined according to EN62841-2-1:

Model DF333D

Work mode: drilling into metal
Vibration emission ($a_{h,D}$): 2.5 m/s² or less
Uncertainty (K): 1.5 m/s²

Model DF033D

Work mode: drilling into metal
Vibration emission ($a_{h,D}$): 2.5 m/s² or less
Uncertainty (K): 1.5 m/s²

NOTE: The declared vibration emission value has been measured in accordance with the standard test method and may be used for comparing one tool with another.

NOTE: The declared vibration emission value may also be used in a preliminary assessment of exposure.

⚠ WARNING: The vibration emission during actual use of the power tool can differ from the declared emission value depending on the ways in which the tool is used.

⚠ WARNING: Be sure to identify safety measures to protect the operator that are based on an estimation of exposure in the actual conditions of use (taking account of all parts of the operating cycle such as the times when the tool is switched off and when it is running idle in addition to the trigger time).

EC Declaration of Conformity

For European countries only

The EC declaration of conformity is included as Annex A to this instruction manual.

SAFETY WARNINGS

General power tool safety warnings

⚠️WARNING: Read all safety warnings, instructions, illustrations and specifications provided with this power tool. Failure to follow all instructions listed below may result in electric shock, fire and/or serious injury.

Save all warnings and instructions for future reference.

The term "power tool" in the warnings refers to your mains-operated (corded) power tool or battery-operated (cordless) power tool.

Cordless driver drill safety warnings

1. Use auxiliary handle(s), if supplied with the tool. Loss of control can cause personal injury.
2. Hold power tool by insulated gripping surfaces, when performing an operation where the cutting accessory may contact hidden wiring. Cutting accessory contacting a "live" wire may make exposed metal parts of the power tool "live" and could give the operator an electric shock.
3. Hold power tool by insulated gripping surfaces, when performing an operation where the fastener may contact hidden wiring. Fasteners contacting a "live" wire may make exposed metal parts of the power tool "live" and could give the operator an electric shock.
4. Always be sure you have a firm footing. Be sure no one is below when using the tool in high locations.
5. Hold the tool firmly.
6. Keep hands away from rotating parts.
7. Do not leave the tool running. Operate the tool only when hand-held.
8. Do not touch the drill bit or the workpiece immediately after operation; they may be extremely hot and could burn your skin.
9. Some material contains chemicals which may be toxic. Take caution to prevent dust inhalation and skin contact. Follow material supplier safety data.
10. If the drill bit cannot be loosened even you open the jaws, use pliers to pull it out. In such a case, pulling out the drill bit by hand may result in injury by its sharp edge.

SAVE THESE INSTRUCTIONS.

⚠️WARNING: DO NOT let comfort or familiarity with product (gained from repeated use) replace strict adherence to safety rules for the subject product. MISUSE or failure to follow the safety rules stated in this instruction manual may cause serious personal injury.

Important safety instructions for battery cartridge

1. Before using battery cartridge, read all instructions and cautionary markings on (1) battery charger, (2) battery, and (3) product using battery.
2. Do not disassemble battery cartridge.

3. If operating time has become excessively shorter, stop operating immediately. It may result in a risk of overheating, possible burns and even an explosion.
4. If electrolyte gets into your eyes, rinse them out with clear water and seek medical attention right away. It may result in loss of your eyesight.
5. Do not short the battery cartridge:
 - (1) Do not touch the terminals with any conductive material.
 - (2) Avoid storing battery cartridge in a container with other metal objects such as nails, coins, etc.
 - (3) Do not expose battery cartridge to water or rain.

A battery short can cause a large current flow, overheating, possible burns and even a breakdown.

6. Do not store the tool and battery cartridge in locations where the temperature may reach or exceed 50 °C (122 °F).
7. Do not incinerate the battery cartridge even if it is severely damaged or is completely worn out. The battery cartridge can explode in a fire.
8. Be careful not to drop or strike battery.
9. Do not use a damaged battery.
10. The contained lithium-ion batteries are subject to the Dangerous Goods Legislation requirements. For commercial transports e.g. by third parties, forwarding agents, special requirement on packaging and labeling must be observed. For preparation of the item being shipped, consulting an expert for hazardous material is required. Please also observe possibly more detailed national regulations. Tape or mask off open contacts and pack up the battery in such a manner that it cannot move around in the packaging.
11. Follow your local regulations relating to disposal of battery.
12. Use the batteries only with the products specified by Makita. Installing the batteries to non-compliant products may result in a fire, excessive heat, explosion, or leak of electrolyte.

SAVE THESE INSTRUCTIONS.

⚠️CAUTION: Only use genuine Makita batteries. Use of non-genuine Makita batteries, or batteries that have been altered, may result in the battery bursting causing fires, personal injury and damage. It will also void the Makita warranty for the Makita tool and charger.

Tips for maintaining maximum battery life

1. Charge the battery cartridge before completely discharged. Always stop tool operation and charge the battery cartridge when you notice less tool power.
2. Never recharge a fully charged battery cartridge. Overcharging shortens the battery service life.
3. Charge the battery cartridge with room temperature at 10 °C - 40 °C (50 °F - 104 °F). Let a hot battery cartridge cool down before charging it.

FUNCTIONAL DESCRIPTION

CAUTION: Always be sure that the tool is switched off and the battery cartridge is removed before adjusting or checking function on the tool.

Installing or removing battery cartridge

CAUTION: Always switch off the tool before installing or removing of the battery cartridge.

CAUTION: Hold the tool and the battery cartridge firmly when installing or removing battery cartridge. Failure to hold the tool and the battery cartridge firmly may cause them to slip off your hands and result in damage to the tool and battery cartridge and a personal injury.

► **Fig.1:** 1. Red indicator 2. Button 3. Battery cartridge

To remove the battery cartridge, slide it from the tool while sliding the button on the front of the cartridge.

To install the battery cartridge, align the tongue on the battery cartridge with the groove in the housing and slip it into place. Insert it all the way until it locks in place with a little click. If you can see the red indicator on the upper side of the button, it is not locked completely.

CAUTION: Always install the battery cartridge fully until the red indicator cannot be seen. If not, it may accidentally fall out of the tool, causing injury to you or someone around you.

CAUTION: Do not install the battery cartridge forcibly. If the cartridge does not slide in easily, it is not being inserted correctly.

Battery protection system

The tool is equipped with a battery protection system. This system automatically cuts off power to the motor to extend battery life.

The tool will automatically stop during operation if the tool and/or battery are placed under one of the following conditions:

Overloaded:

The tool is operated in a manner that causes it to draw an abnormally high current. In this situation, turn the tool off and stop the application that caused the tool to become overloaded. Then turn the tool on to restart. If the tool does not start, the battery is overheated. In this situation, let the battery cool before turning the tool on again.

Low battery voltage:

The remaining battery capacity is too low and the tool will not operate. If you turn the tool on, the motor runs again but stops soon. In this situation, remove and recharge the battery.

Indicating the remaining battery capacity

Only for battery cartridges with the indicator

► **Fig.2:** 1. Indicator lamps 2. Check button

Press the check button on the battery cartridge to indicate the remaining battery capacity. The indicator lamps light up for a few seconds.

Indicator lamps		Remaining capacity
Lighted	Off	
■ ■ ■ ■	□	75% to 100%
■ ■ ■ □	□	50% to 75%
■ ■ □ □	□ □	25% to 50%
■ □ □ □	□ □ □ □	0% to 25%

NOTE: Depending on the conditions of use and the ambient temperature, the indication may differ slightly from the actual capacity.

Switch action

► **Fig.3:** 1. Switch trigger

CAUTION: Before installing the battery cartridge into the tool, always check to see that the switch trigger actuates properly and returns to the "OFF" position when released.

To start the tool, simply pull the switch trigger. Tool speed is increased by increasing pressure on the switch trigger. Release the switch trigger to stop.

Lighting up the front lamp

► **Fig.4:** 1. Lamp

CAUTION: Do not look in the light or see the source of light directly.

Pull the switch trigger to light up the lamp. The lamp keeps on lighting while the switch trigger is being pulled. The lamp goes out approximately 10 seconds after releasing the switch trigger.

NOTE: Use a dry cloth to wipe the dirt off the lens of the lamp. Be careful not to scratch the lens of lamp, or it may lower the illumination.

Reversing switch action

► **Fig.5:** 1. Reversing switch lever

CAUTION: Always check the direction of rotation before operation.

CAUTION: Use the reversing switch only after the tool comes to a complete stop. Changing the direction of rotation before the tool stops may damage the tool.

CAUTION: When not operating the tool, always set the reversing switch lever to the neutral position.

This tool has a reversing switch to change the direction of rotation. Depress the reversing switch lever from the A side for clockwise rotation or from the B side for counterclockwise rotation.

When the reversing switch lever is in the neutral position, the switch trigger cannot be pulled.

Speed change

► **Fig.6:** 1. Speed change lever

⚠ CAUTION: Always set the speed change lever fully to the correct position. If you operate the tool with the speed change lever positioned halfway between the "1" side and "2" side, the tool may be damaged.

⚠ CAUTION: Do not use the speed change lever while the tool is running. The tool may be damaged.


Position of speed change lever	Speed	Torque	Applicable operation
1	Low	High	Heavy loading operation
2	High	Low	Light loading operation


To change the speed, switch off the tool first. Select the "2" side for high speed or "1" for low speed but high torque. Be sure that the speed change lever is set to the correct position before operation.

If the tool speed is coming down extremely during the operation with "2", slide the lever to the "1" and restart the operation.

Adjusting the fastening torque

► **Fig.7:** 1. Adjusting ring 2. Graduation 3. Arrow

The fastening torque can be adjusted in 21 levels by turning the adjusting ring. Align the graduations with the arrow on the tool body. You can get the minimum fastening torque at 1 and maximum torque at  marking.

The clutch will slip at various torque levels when set at the number 1 to 20. The clutch does not work at the  marking.

Before actual operation, drive a trial screw into your material or a piece of duplicate material to determine which torque level is required for a particular application.

The following shows the rough guide of the relationship between the screw size and graduation.

Graduation		1	2	3	4	5	6	7	8	9	10	11	12	13	14	15	16	17	18	19	20	
Machine screw		M4							M5							M6						
Wood screw	Soft wood (e.g. pine)	-							φ3.5 x 22							φ4.1 x 38						
	Hard wood (e.g. lauan)	-							φ3.5 x 22							-						
		-														φ4.1 x 38						

ASSEMBLY

⚠ CAUTION: Always be sure that the tool is switched off and the battery cartridge is removed before carrying out any work on the tool.

Installing or removing driver bit/drill bit

For Model DF333D (optional accessory)

► **Fig.8:** 1. Sleeve 2. Close 3. Open

Turn the sleeve counterclockwise to open the chuck jaws. Place the driver bit/drill bit in the chuck as far as it will go. Turn the sleeve clockwise to tighten the chuck. To remove the driver bit/drill bit, turn the sleeve counterclockwise.

Installing or removing driver bit/socket bit

For Model DF033D (optional accessory)

► **Fig.9**

Use only driver bit/socket bit that has inserting portion shown in the figure. Do not use any other driver bit/socket bit.

NOTE: Both shallower type (A=12 mm, B=9 mm) and deeper type (A=17 mm, B=14 mm) of driver bits can be used.

To install the driver bit, pull the sleeve in the direction of the arrow and insert the driver bit into the sleeve as far as it will go. Then release the sleeve to secure the driver bit.

► **Fig.10:** 1. Driver bit 2. Sleeve

To remove the driver bit, pull the sleeve in the direction of the arrow and pull the driver bit out.

NOTE: If the driver bit is not inserted deep enough into the sleeve, the sleeve will not return to its original position and the driver bit will not be secured. In this case, try re-inserting the bit according to the instructions above.

NOTE: After inserting the driver bit, make sure that it is firmly secured. If it comes out, do not use it.

Installing hook

CAUTION: When installing the hook, always secure it with the screw firmly. If not, the hook may come off from the tool and result in the personal injury.

► Fig.11: 1. Groove 2. Hook 3. Screw

The hook is convenient for temporarily hanging the tool. This can be installed on either side of the tool. To install the hook, insert it into a groove in the tool housing on either side and then secure it with a screw. To remove, loosen the screw and then take it out.

Installing driver bit holder

Optional accessory

► Fig.12: 1. Driver bit holder 2. Driver bit

Fit the driver bit holder into the protrusion at the tool foot on either right or left side and secure it with a screw. When not using the driver bit, keep it in the driver bit holders. Driver bits 45 mm-long can be kept there.

OPERATION

CAUTION: Always insert the battery cartridge all the way until it locks in place. If you can see the red indicator on the upper side of the button, it is not locked completely. Insert it fully until the red indicator cannot be seen. If not, it may accidentally fall out of the tool, causing injury to you or someone around you.

CAUTION: When the speed comes down extremely, reduce the load or stop the tool to avoid the tool damage.

Hold the tool firmly with one hand on the grip and the other hand on the bottom of the battery cartridge to control the twisting action.

► Fig.13

Screwdriving operation


CAUTION: Adjust the adjusting ring to the proper torque level for your work.

CAUTION: Make sure that the driver bit is inserted straight in the screw head, or the screw and/or driver bit may be damaged.

Place the point of the driver bit in the screw head and apply pressure to the tool. Start the tool slowly and then increase the speed gradually. Release the switch trigger as soon as the clutch cuts in.

NOTE: When driving wood screw, pre-drill a pilot hole 2/3 the diameter of the screw. It makes driving easier and prevents splitting of the workpiece.

Drilling operation

First, turn the adjusting ring so that the arrow points to the  marking. Then proceed as follows.

Drilling in wood

When drilling in wood, the best results are obtained with wood drills equipped with a guide screw. The guide screw makes drilling easier by pulling the drill bit into the workpiece.

Drilling in metal

To prevent the drill bit from slipping when starting a hole, make an indentation with a center-punch and hammer at the point to be drilled. Place the point of the drill bit in the indentation and start drilling. Use a cutting lubricant when drilling metals. The exceptions are iron and brass which should be drilled dry.

CAUTION: Pressing excessively on the tool will not speed up the drilling. In fact, this excessive pressure will only serve to damage the tip of your drill bit, decrease the tool performance and shorten the service life of the tool.

CAUTION: Hold the tool firmly and exert care when the drill bit begins to break through the workpiece. There is a tremendous force exerted on the tool/drill bit at the time of hole break through.

CAUTION: A stuck drill bit can be removed simply by setting the reversing switch to reverse rotation in order to back out. However, the tool may back out abruptly if you do not hold it firmly.


CAUTION: Always secure workpieces in a vise or similar hold-down device.

CAUTION: If the tool is operated continuously until the battery cartridge has discharged, allow the tool to rest for 15 minutes before proceeding with a fresh battery.

Using the tool as a hand screwdriver

► Fig.14

Switch off the tool.

Move the reversing switch lever to the neutral position. Turn the adjusting ring so that the arrow points to the  marking.

Turn the tool.

NOTE: This use is convenient for checking the screwdriving.

NOTE: Do not use the tool for work requiring excessive force, such as tightening bolt or removing rusted screws.

Using holster

Optional accessory

⚠ CAUTION: When using the holster, remove a driver bit/drill bit from the tool.

⚠ CAUTION: Turn off the tool and wait until it comes to a complete stop before placing it in the holster. Be sure to close the holster securely with the holster button so that it holds the tool firmly.

1. Thread a waist belt or similar through holster holder.

▶ Fig.15: 1. Holster holder 2. Waist belt

2. Put the tool in the holster and lock it with the holster button.

▶ Fig.16

▶ Fig.17

You can keep two driver bits at the front of the holster.

MAINTENANCE

⚠ CAUTION: Always be sure that the tool is switched off and the battery cartridge is removed before attempting to perform inspection or maintenance.

NOTICE: Never use gasoline, benzine, thinner, alcohol or the like. Discoloration, deformation or cracks may result.

To maintain product SAFETY and RELIABILITY, repairs, any other maintenance or adjustment should be performed by Makita Authorized or Factory Service Centers, always using Makita replacement parts.

OPTIONAL ACCESSORIES

⚠ CAUTION: These accessories or attachments are recommended for use with your Makita tool specified in this manual. The use of any other accessories or attachments might present a risk of injury to persons. Only use accessory or attachment for its stated purpose.

If you need any assistance for more details regarding these accessories, ask your local Makita Service Center.

- Drill bits
- Driver bits
- Socket bits
- Driver bit holder
- Holster
- Plastic carrying case
- Hook
- Makita genuine battery and charger

NOTE: Some items in the list may be included in the tool package as standard accessories. They may differ from country to country.

SPECIFIKATIONER

Modell:		DF333D	DF033D
Borrkapaciteter	Stål	10 mm	
	Trä	21 mm	
Åtdragningskapaciteter	Träskruv	5,1 mm x 63 mm	
	Maskinskruv	M6	
Hastighet utan belastning	Hög (2)	0 - 1 700 min ⁻¹	
	Låg (1)	0 - 450 min ⁻¹	
Total längd		179 mm	149 mm
Märkspänning		10,8 V likström - 12 V max	
Nettovikt		1,1 - 1,2 kg	0,93 - 1,1 kg

- På grund av vårt pågående program för forskning och utveckling kan dessa specifikationer ändras utan föregående meddelande.
- Specifikationer kan variera mellan olika länder.
- Vikten kan variera beroende på tillbehören, inklusive batterikassett. Den lättaste och den tyngsta kombinationen enligt EPTA-procedur 01/2014 visas i tabellen.

Tillgänglig batterikassett och laddare

Batterikassett	BL1015 / BL1016 / BL1020B / BL1021B / BL1040B / BL1041B
Laddare	DC10SA / DC10SB / DC10WC / DC10WD / DC18RE

- Vissa av batterikassetterna och laddarna på listan ovan kanske inte finns tillgängliga i din region.

⚠ VARNING: Använd endast batterikassetter och laddare från listan ovan. Användning av andra batterikassetter och laddare kan orsaka personskada och/eller brand.

Avsedd användning

Maskinen är avsedd för borring och skruvdragnig i trä, metall och plast.

Buller

Den normala bullernivån för A-belastning är bestämd enligt EN62841-2-1:

Model DF333D

Ljudtrycksnivå (L_{pA}): 70 dB (A) eller lägre
Måttolerans (K): 3 dB (A)

Bullernivån vid arbete kan överstiga 80 dB (A).

Model DF033D

Ljudtrycksnivå (L_{pA}): 70 dB (A) eller lägre
Måttolerans (K): 3 dB (A)

Bullernivån vid arbete kan överstiga 80 dB (A).

⚠ VARNING: Använd hörselskydd.

Vibration

Det totala vibrationsvärdet (treaxlad vektorsumma) bestämt enligt EN62841-2-1:

Model DF333D

Arbetsläge: borring i metall
Vibrationsemission ($a_{h,D}$): 2,5 m/s² eller lägre
Måttolerans (K): 1,5 m/s²

Model DF033D

Arbetsläge: borring i metall
Vibrationsemission ($a_{h,D}$): 2,5 m/s² eller lägre
Måttolerans (K): 1,5 m/s²

OBS: Det deklarerade vibrationsemissionsvärdet har uppmätts i enlighet med standardtestmetoden och kan användas för att jämföra en maskin med en annan.

OBS: Det deklarerade vibrationsemissionsvärdet kan också användas i en preliminär bedömning av exponering för vibration.

⚠ VARNING: Vibrationsemissionen under faktisk användning av maskinen kan skilja sig från det deklarerade emissionsvärdet, beroende på hur maskinen används.

⚠ VARNING: Var noga med att identifiera säkerhetsåtgärder för att skydda användaren, vilka är grundade på en uppskattning av graden av exponering för vibrationer under de faktiska användningsförhållandena. (ta, förutom avtryckartiden, med alla delar av användarcykeln i beräkningen, som till exempel tiden då maskinen är avstängd och när den går på tomgång).

EG-försäkring om överensstämmelse

Gäller endast inom EU

EG-försäkring om överensstämmelse inkluderas som bilaga A till denna bruksanvisning.

SÄKERHETSVARNINGAR

Allmänna säkerhetsvarningar för maskiner

⚠ VARNING: Läs alla säkerhetsvarningar, anvisningar, illustrationer och specifikationer som medföljer det här maskinen. Underlåtenhet att följa instruktionerna kan leda till elstöt, brand och/eller allvarliga personskador.

Spara alla varningar och instruktioner för framtida referens.

Termen "maskin" som anges i varningarna hänvisar till din eldrivna maskin (sladdansluten) eller batteridrivna maskin (sladdlös).

Säkerhetsvarningar för sladdlös bormaskin

1. Använd extrahandtag om det levereras med maskinen. Om du förlorar kontrollen över maskinen kan det leda till personskador.
2. Håll maskinen i de isolerade handtagen om det finns risk för att skärverktyget kan komma i kontakt med en dold elkabel. Om skärverktyget kommer i kontakt med en "strömförande" ledning blir maskinens blottlagda metalldelar "strömförande" och kan ge operatören en elektrisk stöt.
3. Håll maskinen i de isolerade handtagen om det finns risk för att skruvdragaren kan komma i kontakt med en dold elkabel. Skruvdragare som kommer i kontakt med en "strömförande" kabel kan få sina blottlagda metalldelar "strömförande", vilket kan ge användaren en elektrisk stöt.
4. Se till att alltid ha ordentligt fotfäste. Se till att ingen står under dig när maskinen används på hög höjd.
5. Håll stadigt i maskinen.
6. Håll händerna på avstånd från roterande delar.
7. Lämnna inte maskinen igång. Använd endast maskinen när du håller den i händerna.
8. Rör inte vid borrarbets eller arbetsstycke omedelbart efter användning eftersom de kan vara extremt varma och orsaka brännskador.
9. Vissa material kan innehålla giftiga kemikalier. Se till att du inte andas in damm eller får det på huden. Följ anvisningarna i leverantörens materialsäkerhetsblad.
10. Om borret inte kan lossas även om du öppnar chocken, använd en tång för att dra ut det. Om man drar ut det för hand kan man skada sig på dess vassa kanter.

SPARA DESSA ANVISNINGAR.

⚠ VARNING: GLÖM INTE att också fortsättningsvis strikt följa säkerhetsanvisningarna för maskinen även efter att du blivit van att använda den. Vid FELÅKTRIG HANTERING av maskinen eller om inte säkerhetsanvisningarna i denna bruksanvisning följs kan följden bli allvarliga personskador.

Viktiga säkerhetsanvisningar för batterikassetten

1. Innan batterikassetten används ska alla instruktioner och varningsmärken på (1) batteriladdaren, (2) batteriet och (3) produkten läsas.
2. Montera inte isär batterikassetten.
3. Om drifttiden blivit avsevärt kortare ska användningen avbrytas omedelbart. Det kan uppstå överhettning, brännskador och t o m en explosion.
4. Om du får elektrolyt i ögonen ska de sköljas med rent vatten och läkare uppsökas omedelbart. Det finns risk för att synen förloras.
5. Kortslut inte batterikassetten.
 - (1) Rör inte vid polerna med något strömförande material.
 - (2) Undvik att förvara batterikassetten tillsammans med andra metallobjekt som t.ex. spikar, mynt o.s.v.
 - (3) Skydda batteriet mot vatten och regn. En batterikortslutning kan orsaka ett stort strömfält, överhettning, brand och maskinhaveri.
6. Förvara inte maskinen och batterikassetten på platser där temperaturen kan nå eller överstiga 50 °C.
7. Bränn inte upp batterikassetten även om den är svårt skadad eller helt utslettn. Batterikassetten kan explodera i öppen eld.
8. Var försiktig så att du inte råkar tappa batteriet och utsätt det inte för stötar.
9. Använd inte ett skadat batteri.
10. De medföljande litiumjonbatterierna är föremål för kraven i gällande lagstiftning för farligt gods.

För kommersiella transporter (av t.ex. tredje parter som speditorsfirmor) måste de särskilda transportkrav som anges på emballaget och etiketter iakttagas.

För att förbereda den produkt som ska avsändas krävs att du konsulterar en expert på riskmaterial. Var också uppmärksam på att det i ditt land kan finnas ytterligare föreskrifter att följa.

Tejpa över eller maskera blottade kontakter och packa batteriet på sådant sätt att det inte kan röra sig fritt i förpackningen.
11. Följ lokala föreskrifter beträffande avfallshandtering av batteriet.
12. Använd endast batterierna med de produkter som specificerats av Makita. Att använda batterierna med ej godkända produkter kan leda till brand, överdriven värme, explosion eller utläckande elektrolyt.

SPARA DESSA ANVISNINGAR.

⚠ FÖRSIKTIGT: Använda endast äkta Makita-batterier. Användning av oäkta Makita-batterier eller batterier som har manipulerats kan leda till person- och utrustningsskador eller till att batteriet fattar eld. Det upphäver också Makitas garanti för verktyget och laddaren.

Tips för att uppnå batteriets maximala livslängd

1. Ladda batterikassetten innan den är helt urladdad. Stanna alltid maskinen och ladda batterikassetten när du märker att maskinen blir svagare.
2. Ladda aldrig en fulladdad batterikasset. Överladdning förkortar batteriets livslängd.
3. Ladda batterikassetten vid en rumstemperatur på 10 °C - 40 °C. Låt en varm batterikasset svalna innan den laddas.

FUNKTIONSBESKRIVNING

⚠ FÖRSIKTIGT: Se alltid till att maskinen är avstängd och batterikassetten borttagen innan du justerar maskinen eller kontrollerar dess funktioner.

Montera eller demontera batterikassetten

⚠ FÖRSIKTIGT: Stäng alltid av maskinen innan du monterar eller tar bort batterikassetten.

⚠ FÖRSIKTIGT: Håll stadigt i maskinen och batterikassetten när du monterar eller tar bort batterikassetten. I annat fall kan det leda till att de glider ur dina händer och orsakar skada på maskinen och batterikassetten samt personskada.

► Fig.1: 1. Röd indikator 2. Knapp 3. Batterikasset

Ta bort batterikassetten genom att skjuta ner knappen på kassetens framsida samtidigt som du drar ut batterikassetten.

Sätt in batterikassetten genom att rikta in tungan på batterikassetten mot spåret i höljet och skjut den på plats. Tryck in batterikassetten ordentligt tills den låser fast med ett klick. Om du kan se den röda indikatorn på knappens ovansida är den inte låst ordentligt.

⚠ FÖRSIKTIGT: Sätt alltid in batterikassetten helt tills den röda indikatorn inte längre syns. I annat fall kan den oväntat falla ur maskinen och skada dig eller någon annan.

⚠ FÖRSIKTIGT: Montera inte batterikassetten med våld. Om kassetten inte lätt glider på plats är den felinsatt.

Skyddssystem för batteri

Maskinen är utrustad med ett batteriskyddssystem. Detta system bryter automatiskt strömmen till motorn för att förlänga batteriets livslängd.

Maskinen stoppas automatiskt under pågående användning om någon av följande situationer uppstår:

Överbelastning:

Maskinen används på ett sätt som gör att den förbrukar onormalt mycket ström.

När detta sker stänger du av maskinen och upphör med arbetet som gjorde att maskinen överbelastades. Starta därefter upp maskinen igen.

Om maskinen inte startar är batteriet överhettat. Låt då batteriet svalna innan du startar maskinen igen.

Batterispänningen faller:

Den kvarvarande batterikapaciteten är för låg och maskinen fungerar inte. Om du trycker in avtryckaren går motorn igång men stannar snart igen. I detta läge tar du bort batteriet och laddar det.

Indikerar kvarvarande batterikapacitet

Endast för batterikassetter med indikator

► Fig.2: 1. Indikatorlampor 2. Kontrollknapp

Tryck på kontrollknappen på batterikassetten för att se kvarvarande batterikapacitet. Indikatorlamporna lyser i ett par sekunder.

Indikatorlampor		Återstående kapacitet
Upplyst	Av	
		75% till 100%
		50% till 75%
		25% till 50%
		0% till 25%

OBS: Beroende på användningsförhållanden och den omgivande temperaturen kan indikationen skilja sig lätt från den faktiska batterikapaciteten.

Avtryckarens funktion

► Fig.3: 1. Avtryckare

⚠ FÖRSIKTIGT: Innan du sätter in batterikassetten i maskinen ska du kontrollera att avtryckaren fungerar och återgår till läget "OFF" när du släpper den.

Tryck in avtryckaren för att starta maskinen. Hastigheten ökas genom att trycka hårdare på avtryckaren. Släpp avtryckaren för att stoppa maskinen.

Tända frontlampan

► Fig.4: 1. Lampa

⚠ FÖRSIKTIGT: Titta inte in i ljuset eller direkt i ljuskällan.

Tryck på avtryckaren för att tända lampan. Lampan fortsätter att lysa så länge du håller avtryckaren intryckt. Lampan slocknar ungefär 10 sekunder efter att du har släppt avtryckaren.

OBS: Använd en torr trasa för att torka bort smuts från lampglaset. Var försiktig så att inte lampglaset repas eftersom ljuset då kan bli svagare.

Reverseringsspakens funktion

► Fig.5: 1. Reverseringsspak

⚠ FÖRSIKTIGT: Kontrollera alltid rotationsriktningen före användning.

⚠ FÖRSIKTIGT: Använd endast reverseringsknappen när maskinen har stoppat helt. Maskinen kan skadas om du byter rotationsriktning medan den fortfarande roterar.

⚠ FÖRSIKTIGT: Ställ alltid in reverseringsspaken i neutralt läge när du inte använder maskinen.

Denna maskin har en reverseringsknapp för byte av rotationsriktning. Tryck in reverseringsspaken från sida A för medurs rotation och från sida B för moturs rotation. När reverseringsspaken är i neutralt läge fungerar inte avtryckaren.

Hastighetsändring

► Fig.6: 1. Hastighetsspak

⚠ FÖRSIKTIGT: Dra alltid hastighetsspaken hela vägen i korrekt läge. Om du använder maskinen och hastighetsspaken står halvvägs mellan sida "1" och sida "2" kan maskinen skadas.


⚠ FÖRSIKTIGT: Ändra inte hastighetsspaken medan maskinen roterar. I annat fall kan maskinen skadas.


Läge för hastighetsreglaget	Hastighet	Vridmoment	Aktuell drift
1	Låg	Hög	Drift med hög belastning
2	Hög	Låg	Drift med lätt belastning

Om du vill ändra hastigheten ska du först stänga av maskinen. Välj sida "2" för hög hastighet eller "1" för låg hastighet men högt vridmoment. Kontrollera att hastighetsreglaget står i rätt läge före användning. Om maskinens hastighet sänks extremt under ett arbetsmoment i läge "2" ska du flytta spaken till "1" och starta om arbetsmomentet.

Ställa in åtdragningsmomentet

► Fig.7: 1. Inställningsring 2. Gradering 3. Pil

Åtdragningsmomentet kan justeras i 21 steg genom att vrida på inställningsringen. Rikta in graderingsstegen mot pilen på verktygskroppen. Vid 1 får du det minsta åtdragningsmomentet och vid  får du det maximala åtdragningsmomentet.

Kopplingen kommer att börja slira vid olika åtdragningsmoment när den ställs in på läge 1 till 20. Kopplingen fungerar inte vid -markeringen.

Innan du börjar arbeta bör du skriva i en provskruv i ditt material eller i ett stycke av samma material så att du vet vilket vridmoment som passar för varje specifik användning.

Följande är en grov överblick över förhållandet mellan skruvdimensioner och graderingssteg.

Gradering	1	2	3	4	5	6	7	8	9	10	11	12	13	14	15	16	17	18	19	20	
Maskinskruv	M4								M5						M6						
Träskruv	Mjukt trä (t.ex. tall)	-								∅3,5 x 22						∅4,1 x 38					
		-								∅3,5 x 22						-					
	Hårt trä (t.ex. lauan)	-								-						∅4,1 x 38					

MONTERING

⚠ FÖRSIKTIGT: Se alltid till att maskinen är avstängd och batterikassetten borttagen innan du underhåller maskinen.

Montering eller demontering av skruvbits/borr

För modell DF333D (valfritt tillbehör)

► Fig.8: 1. Hylsa 2. Stäng 3. Öppna

Vrid hylsan moturs för att öppna chocken. Skjut in skruvbitset/borret i chocken så långt det går. Vrid hylsan medurs för att dra åt chocken. Vrid hylsan moturs när du ska ta bort skruvbitset/borret.

Montering eller demontering av skruvbits eller hylsbits

För modell DF033D (valfritt tillbehör)

► Fig.9

Använd endast skruvbits/hylsbits som har en isättande del enligt vad som visas i figuren. Använd inga andra bits.

OBS: Både grundare typ (A=12 mm, B=9 mm) och djupare typ (A=17 mm, B=14 mm) av skruvbits kan användas.

Montera skruvbitset genom att dra hylsan i pilens riktning och sätt i bitset i hylsan så långt det går. Släpp sedan hylsan för att fästa borrbiset.

► Fig.10: 1. Skruvbits 2. Hylsa

Ta ut bitset genom att dra hylsan i pilens riktning och dra ut skruvbitset.

OBS: Om skruvbitset inte är isatt djupt nog i hylsan kommer inte hylsan att gå tillbaka till sitt ursprungliga läge och skruvbitset fästs inte. Försök då att sätta i bitset på nytt enligt instruktionerna ovan.

OBS: Efter att skruvbitset är isatt kontrollerar du att det är ordentligt fastskruvat. Om det åker ut ska du inte använda det.

Monteringskrok

⚠ FÖRSIKTIGT: När kroken monteras skall alltid skruven dras åt ordentligt. Om inte kan kroken lossa från maskinen och leda till personskada.

► **Fig.11:** 1. Spår 2. Krok 3. Skruv

Haken kan användas när du vill hänga upp verktyget temporärt. Den kan monteras på båda sidorna av maskinen. För att montera kroken sätter du i den i ett spår i maskinhuset på endera sida och drar fast den med en skruv. Ta bort kroken genom att skruva loss skruven.

Montering av skruvbitshållare

Valfria tillbehör

► **Fig.12:** 1. Skruvbitshållare 2. Skruvbits

Passa in skruvbitshållaren på den utskjutande delen på verktygsfoten, antingen på höger eller vänster sida, och fäst den med en skruv.

Placera skruvbitset i hållaren när det inte används. Skruvbits upp till 45 mm kan förvaras här.

ANVÄNDNING

⚠ FÖRSIKTIGT: Skjut alltid in batterikassetten ordentligt tills den låses på plats. Om du kan se den röda indikatorn på knappens ovansida är den inte låst ordentligt. Skjut in den helt tills den röda indikatorn inte syns längre. I annat fall kan batterikassetten plötsligt lossna från maskinen och skada dig eller någon annan.

⚠ FÖRSIKTIGT: När hastigheten sjunker extremt mycket ska du minska belastningen eller stoppa maskinen för att undvika maskinskada.

Håll verktyget stadigt med en hand om handtaget och den andra handen under batteriet för att kontrollera vridningen.

► **Fig.13**

Skruvdragning


⚠ FÖRSIKTIGT: Anpassa inställningsringen så att du får rätt åtdragningsmoment för ditt arbete.

⚠ FÖRSIKTIGT: Se till att skruvbitset placeras rakt i skruvskallen för att inte skruven och/eller skruvbitset ska skadas.

Placera spetsen på skruvbitset i skruvhuvudet och tryck med maskinen. Starta maskinen sakta och öka sedan hastigheten gradvis. Släpp avtryckaren så fort kopplingen slirar.

OBS: Vid skruvning med träskruv är det lämpligt att förborra ett styrhål som är två tredjedelar av skruvens diameter. Det gör skruvdragningen enklare och förhindrar att träet spricker.

Borring

Vrid först inställningsringen så att pilen pekar mot markeringen . Fortsätt sedan enligt följande:

Borra i trä

Vid borring i trä uppnår du bäst resultat om du använder ett förborr med styrskruv. Styrskruven gör det enklare att borra genom att den drar in borret i arbetsstycket.

Borra i metall

För att borret inte ska halka när du börjar borra kan du göra ett märke med en syl och en hammare i punkten där hålet ska borras. Placera borrets spets i sylhålet och börja borra.

Använd ett smörjmedel vid borring i metall.

Undantagen är järn och mässing som ska borras torrt.

⚠ FÖRSIKTIGT: Borringen går inte fortare för att du trycker hårdare på maskinen. Detta extra tryck skadar bara toppen på ditt borrh, sänker maskinens prestanda och förkortar maskinens livslängd.

⚠ FÖRSIKTIGT: Håll ett stadigt tag i maskinen och var försiktig när borret börjar tränga igenom arbetsstycket. Det utvecklas en enorm kraft på maskinen/borret vid hålgenomslaget.

⚠ FÖRSIKTIGT: Ett borrh som fastnat kan enkelt backas ur genom att reversera borringens rotationsriktning. Maskinen kan dock plötsligt backa ut om du inte håller i den ordentligt.

⚠ FÖRSIKTIGT: Fäst alltid arbetsstycken i ett städ eller liknande fasthållningsanordningar.


⚠ FÖRSIKTIGT: Om maskinen används löpande tills batteriet är tomt bör maskinen vila 15 minuter innan du fortsätter arbetet med ett laddat batteri.

Använda maskinen som en handskruvmejsel

► **Fig.14**

Stäng av maskinen.

Flytta reverseringsspaken till dess neutrala position.

Vrid inställningsskruven så att pilen pekar på -markeringen.

Vrid på verktyget.

OBS: Denna användning är bekväm för att kontrollera skruvdragningen.

OBS: Använd inte maskinen för arbete som kräver att du trycker hårt med den, såsom åtdragning av bultar eller för att ta bort rostiga skruvar.

Användning av hölster

Valfria tillbehör

⚠ FÖRSIKTIGT: Ta bort skruvbits/borr från verktyget när du använder ett hölster.

⚠ FÖRSIKTIGT: Stäng av maskinen och vänta tills den stannar helt innan du placerar den i hölstret. Kontrollera att hölstret låsts fast ordentligt med hölsterknappen så att det håller maskinen stadigt på plats.

1. Trä ett midjebälte eller liknande genom hållaren i hölstret.

► **Fig.15:** 1. Hölstrets hållare 2. Midjebälte

2. Sätt maskinen i hölstret och lås fast den med hölsterknappen.

► **Fig.16**

► **Fig.17**

Du kan förvara två skruvbits framtill i hölstret.

UNDERHÅLL

⚠ FÖRSIKTIGT: Se alltid till att maskinen är avstängd och batterikassetten borttagen innan inspektion eller underhåll utförs.

OBSERVERA: Använd inte bensen, förtunningsmedel, alkohol eller liknande. Missfärgning, deformation eller sprickor kan uppstå.

För att upprätthålla produktens SÄKERHET och TILLFÖRLITLIGHET bör allt underhålls- och justeringsarbete utföras av ett auktoriserat Makita servicecenter och med reservdelar från Makita.

VALFRIA TILLBEHÖR

⚠ FÖRSIKTIGT: Följande tillbehör eller tillsatser rekommenderas för användning med den Makita-maskin som denna bruksanvisning avser. Om andra tillbehör eller tillsatser används kan det uppstå risk för personskador. Använd endast tillbehören eller tillsatserna för de syften de är avsedda för.

Kontakta ditt lokala Makita servicecenter om du behöver ytterligare information om dessa tillbehör.

- Borr
- Skruvbits
- Hylsbits
- Skruvbitshållare
- Hölster
- Förvaringsväska av plast
- Krok
- Makitas originalbatteri och -laddare

OBS: Några av tillbehören i listan kan vara inkluderade i maskinpaketet som standardtillbehör. De kan variera mellan olika länder.

TEKNISKE DATA

Modell:		DF333D	DF033D
Borekapasitet	Stål	10 mm	
	Tre	21 mm	
Festekapasitet	Treskrue	5,1 mm x 63 mm	
	Maskinskrue	M6	
Hastighet uten belastning	Høy (2)	0 - 1 700 min ⁻¹	
	Lav (1)	0 - 450 min ⁻¹	
Total lengde		179 mm	149 mm
Nominell spenning		DC 10,8 V - 12 V maks	
Nettovekt		1,1 - 1,2 kg	0,93 - 1,1 kg

- På grunn av vårt kontinuerlige forsknings- og utviklingsprogram kan spesifikasjonene som oppgis i dette dokumentet endres uten varsel.
- Spesifikasjonene kan variere fra land til land.
- Vekten kan variere avhengig av tilbehøret/tilbehørene, inkludert batteriet. Den letteste og tyngste kombinasjonen, i henhold til EPTA-prosedyre 01/2014, vises i tabellen.

Passende batteri og lader

Batteriinnsetts	BL1015 / BL1016 / BL1020B / BL1021B / BL1040B / BL1041B
Lader	DC10SA / DC10SB / DC10WC / DC10WD / DC18RE

- Noen av batteriene og laderne som er opplistet ovenfor er kanskje ikke tilgjengelige, avhengig av hvor du bor.

⚠ ADVARSEL: Bruk kun de batteriene og laderne som er opplistet ovenfor. Bruk av andre batterier og ladere kan føre til personskader og/eller brann.

Riktig bruk

Maskinen er beregnet til boring og skruing i tre, metall og plast.

Støy

Typisk A-vektet lydtrykknivå er bestemt i henhold til EN62841-2-1:

Modell DF333D

Lydtrykknivå (L_{pA}): 70 dB (A) eller mindre
Usikkerhet (K): 3 dB (A)

Støynivået under arbeid kan overskride 80 dB (A).

Modell DF033D

Lydtrykknivå (L_{pA}): 70 dB (A) eller mindre
Usikkerhet (K): 3 dB (A)

Støynivået under arbeid kan overskride 80 dB (A).

⚠ ADVARSEL: Bruk hørselsvern.

Vibrasjoner

Den totale vibrasjonsverdien (triaksial vektorsum) bestemt i henhold EN62841-2-1:

Modell DF333D

Arbeidsmodus: Bore inn i metall
Genererte vibrasjoner ($a_{h,D}$): 2,5 m/s² eller mindre
Usikkerhet (K): 1,5 m/s²

Modell DF033D

Arbeidsmodus: Bore inn i metall
Genererte vibrasjoner ($a_{h,D}$): 2,5 m/s² eller mindre
Usikkerhet (K): 1,5 m/s²

MERK: Den angitte verdien for de genererte vibrasjonene er målt i samsvar med standardtestmetoden og kan brukes til å sammenlikne et verktøy med et annet.

MERK: Den angitte verdien for de genererte vibrasjonene kan også brukes til en foreløpig vurdering av eksponeringen.

⚠ ADVARSEL: De genererte vibrasjonene ved faktisk bruk av elektroverktøyet kan avvike fra den angitte vibrasjonsverdien, avhengig av hvordan verktøyet brukes.

⚠ ADVARSEL: Sørg for å identifisere vernetiltak for å beskytte operatøren, som er basert på et estimat av eksponeringen under de faktiske bruksforholdene (idet det tas hensyn til alle deler av driftssyklusen, dvs. hvor lenge verktøyet er slått av, hvor lenge det går på tomgang og hvor lenge startbryteren faktisk holdes trykket).

EFs samsvarserklæring

Gjelder kun for land i Europa

EFs samsvarserklæring er lagt til som vedlegg A i denne bruksanvisningen.

SIKKERHETSADVARSEL

Generelle advarsler angående sikkerhet for elektroverktøy

⚠ADVARSEL: Les alle sikkerhetsadvarsler, instruksjoner, illustrasjoner og spesifikasjoner som følger med dette elektroverktøyet. Hvis ikke alle instruksjonene nedenfor følges, kan det forekomme elektrisk støt, brann og/eller alvorlig skade.

Oppbevar alle advarsler og instruksjoner for senere bruk.

Uttrykket «elektrisk verktøy» i advarslene refererer både til elektriske verktøy (med ledning) tilkoblet strømmettet, og batteridrevne verktøy (uten ledning).

Sikkerhetsadvarsler for den batteridrevne borskrutrekkeren

1. **Bruk hjelpehåndtak, hvis det (de) følger med maskinen.** Hvis maskinen kommer ut av kontroll, kan det resultere i helseskader.
2. **Hold maskinen i det isolerte håndtaket når skjæreverktøyet kan komme i kontakt med skjulte ledninger under arbeidet.** Hvis kuttetilbehøret kommer i kontakt med «strømførende» ledninger, kan ikke isolerte metalldele i maskinen bli «strømførende» og kunne gi brukeren elektrisk støt.
3. **Hold maskinen i det isolerte håndtaket når festemidlet kan komme i kontakt med skjulte ledninger under arbeidet.** Hvis skruer eller bolter kommer i kontakt med en «strømførende» ledning, kan metalldelene på det elektriske verktøyet bli «strømførende» og føre til at brukeren får støt.
4. **Pass på at du har godt fotfeste.** Forviss deg om at ingen står under deg når du jobber høyt over bakken.
5. **Hold godt fast i verktøyet.**
6. **Hold hendene unna roterende deler.**
7. **Ikke gå fra verktøyet mens det er i gang.** Verktøyet må bare brukes mens operatøren holder det i hendene.
8. **Ikke berør bor eller arbeidsstykke umiddelbart etter bruk.** Disse vil da være ekstremt varme, og du kan få brannsår.
9. **Enkelte materialer inneholder kjemikalier som kan være giftige.** Treff tiltak for å hindre hudkontakt og innånding av støv. Følg leverandørens sikkerhetsanvisninger.
10. **Hvis du ikke klarer å løsne boret selv om du åpner kjevene, drar du det ut ved hjelp av en tang.** Når du drar ut boret for hånd, må du passe på at du ikke skader deg på den skarpe kanten.

TA VARE PÅ DISSE INSTRUKSENE.

⚠ADVARSEL: IKKE LA hensynet til hva som er "beholdelig" eller det faktum at du kjenner produktet godt (etter mange gangers bruk) gjøre deg mindre oppmerksom på sikkerhetsreglene for bruken av det aktuelle produktet. Ved MISBRUK eller hvis ikke sikkerhetsreglene i denne bruksanvisningen følges, kan det oppstå alvorlig personskade.

Viktige sikkerhetsanvisninger for batteriinnsetts

1. **Før du begynner å bruke batteriet, må du lese alle anvisninger og forsiktighetsregler på (1) batteriladeren, (2) batteriet og (3) det produktet batteriet skal brukes i.**
2. **Ikke ta fra hverandre batteriet.**
3. **Hvis driftstiden er blitt vesentlig kortere, må du omgående slutte å bruke maskinen.** Hvis ikke kan resultatet bli overoppheting, mulige forbrenninger eller til og med en eksplosjon.
4. **Hvis du får elektrolytt i øynene, må du skylle dem med store mengder rennende vann og oppsøke lege med én gang.** Denne typen uhell kan føre til varig blindhet.
5. **Ikke kortslett batteriet:**
 - (1) **De kan være ekstremt varme og du kan brenne deg.**
 - (2) **Ikke lagre batteriet i samme beholder som andre metallgjenstander, som for eksempel spiker, mynter osv.**
 - (3) **Ikke la batteriet komme i kontakt med vann eller regn.**

En kortslutning av batteriet kan føre til et kraftig strømstøt, overoppheting, mulige forbrenninger og til og med til at batteriet går i stykker.

6. **Ikke lagre maskinen og batteriet på steder hvor temperaturen kan komme opp i eller overskride 50 °C.**
7. **Ikke sett fyr på batteriet, ikke engang om det er sterkt skadet eller helt utslitt.** Batteriet kan eksplodere hvis det begynner å brenne.
8. **Vær forsiktig så du ikke mister batteriet eller utsetter det for slag.**
9. **Ikke bruk batterier som er skadet.**
10. **Lithium-ion-batteriene som medfølger er gjensstand for krav om spesialavfall.** For kommersiell transport, f.eks av tredjeparter eller speditører, må spesielle krav om pakking og merking følges. Før varen blir sendt, må du forhøre deg med en ekspert på farlig materiale. Ta også hensyn til muligheten for mer detaljerte nasjonale bestemmelser. Bruk teip eller maskeringsteip for å skjule åpne kontakter og pakk inn batteriet på en slik måte at den ikke kan bevege seg rundt i emballasjen.
11. **Følg lokale bestemmelser for avhending av batterier.**
12. **Bruk batteriene kun med produkter spesifisert av Makita.** Montere batteriene i produkter som ikke er konforme kan føre til brann, overheting eller elektrolyttlekkasje.

TA VARE PÅ DISSE INSTRUKSENE.

⚠FORSIKTIG: Bruk kun originale Makita-batterier. Bruk av batterier som har endret seg, eller som ikke er originale Makita-batterier, kan føre til at batteriet sprekker og forårsaker brann, personskader og andre skader. Det vil også ugyldiggjøre garantien for Makita-verktøyet og -laderen.

Tips for å opprettholde maksimal batterilevetid

1. Lad batteriinnsetsen før den er helt utladet. Stopp alltid driften av verktøyet og lad batteriinnsetsen når du merker at effekten reduseres.
2. Lad aldri en batteriinnsets som er fulladet. Overopplading forkortar batteriets levetid.
3. Lad batteriet i romtemperatur ved 10 °C - 40 °C. Et varmt batteri må kjøles ned før lading.

FUNKSJONS BESKRIVELSE

⚠FORSIKTIG: Forviss deg alltid om at maskinen er slått av og batteriet tatt ut før du justerer maskinen eller kontrollerer dens mekaniske funksjoner.

Sette inn eller ta ut batteri

⚠FORSIKTIG: Slå alltid av verktøyet før du setter inn eller fjerner batteriet.

⚠FORSIKTIG: Hold verktøyet og batteripatronen i et fast grep når du monterer eller fjerner batteripatronen. Hvis du ikke holder verktøyet og batteripatronen godt fast, kan du miste grepet, og dette kan føre til skader på verktøyet og batteripatronen samt personskader.

► Fig.1: 1. Rød indikator 2. Knapp 3. Batteriinnsets

For å ta ut batteriet må du skyve på knappen foran på batteriet og trekke det ut.

Når du skal sette inn batteriet, må du plassere tungen på batteriet på linje med sporet i huset og skyve batteriet på plass. Skyv det helt inn til det går i inngrep med et lite klikk. Hvis du kan se den røde anviseren på oversiden av knappen, er det ikke fullstendig låst.

⚠FORSIKTIG: Batteriet må alltid settes helt inn, så langt at den røde anviseren ikke lenger er synlig. Hvis dette ikke gjøres, kan batteriet komme til å falle ut av maskinen og skade deg eller andre som oppholder seg i nærheten.

⚠FORSIKTIG: Ikke bruk makt når du setter i batteriet. Hvis batteriet ikke glir lett inn, er det fordi det ikke settes inn på riktig måte.

Batteribeskyttelsessystem

Verktøyet er utstyrt med et batterivernsystem. Dette systemet slår automatisk av strømmen til motoren for å forlenge batteriets levetid.

Verktøyet stopper automatisk ved drift hvis det og/eller batteriet utsettes for en av følgende tilstander:

Overbelastning:

Verktøyet brukes på en måte som gjør at det trekker uvanlig mye strøm. I dette tilfellet må du slå av verktøyet og avslutte bruken som forårsaket at verktøyet ble overbelastet. Slå deretter verktøyet på for å starte det igjen.

Hvis verktøyet ikke starter, er batteriet overbelastet. I så fall må du la batteriet kjøle seg ned før du slår verktøyet på igjen.

Lav batterispenning:

Gjenværende batterikapasitet er for lav og verktøyet vil ikke fungere. Når du starter verktøyet, starter motoren, men den stopper like etterpå. I dette tilfellet, fjern og lad batteriet opp igjen.

Indikere gjenværende batterikapasitet

Kun for batterier med indikatoren

► Fig.2: 1. Indikatorlamper 2. Kontrollknapp

Trykk på sjekk-knappen på batteriet for vise gjenværende batterikapasitet. Indikatorlampene lyser i et par sekunder.

Indikatorlamper		Gjenværende batterinivå
Tent	Av	
		75% til 100%
		50% til 75%
		25% til 50%
		0% til 25%

MERK: Det angitte nivået kan avvike noe fra den faktiske kapasiteten alt etter bruksforholdene og den omgivende temperaturen.

Bryterfunksjon

► Fig.3: 1. Startbryter

⚠FORSIKTIG: Før du setter batteriet inn i maskinen, må du alltid kontrollere at startbryteren aktiverer maskinen på riktig måte og går tilbake til «AV»-stilling når den slippes.

For å starte maskinen, må du trykke på startbryteren. Når du trykker hardere på startbryteren, øker hastigheten på verktøyet. Slipp opp bryteren for å stanse verktøyet.

Tenne frontlampen

► Fig.4: 1. Lampe

⚠FORSIKTIG: Ikke se inn i lyset eller se direkte på lyskilden.

Trykk inn startbryteren for å tenne lampen. Lampen fortsetter å lyse så lenge startbryteren holdes inne. Lampen slukkes omtrent 10 sekunder etter at startbryteren er sluppet.

MERK: Bruk en tørr klut til å tørke støv osv. av lampelinsen. Vær forsiktig så det ikke blir riper i lampelinsen, da dette kan redusere lysstyrken.

Reverseringsfunksjon

► Fig.5: 1. Reverseringsspak

⚠FORSIKTIG: Før arbeidet begynner, må du alltid kontrollere rotasjonsretningen.

⚠FORSIKTIG: Bruk reversbryteren bare etter at verktøyet har stoppet helt. Hvis du endrer rotasjonsretningen før verktøyet har stoppet, kan det bli ødelagt.

⚠FORSIKTIG: Når du ikke skal bruke maskinen lenger, må du alltid sette reversbryteren i nøytral stilling.

Dette verktøyet har en reversbryter som kan brukes til å endre rotasjonsretningen. Trykk inn reversbryteren fra «A»-siden for å velge rotasjon med klokken, eller fra «B»-siden for å velge rotasjon mot klokken.

Når reversbryteren er i nøytral stilling, kan ikke startbryteren trykkes inn.

Turtallsending

► Fig.6: 1. Hastighetsvelger

⚠FORSIKTIG: Hastighetsvelgeren må alltid settes i helt riktig posisjon. Hvis du bruker maskinen med hastighetsvelgeren innstilt på et punkt midt mellom posisjon «1» og «2», kan maskinen bli ødelagt.

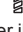

⚠FORSIKTIG: Ikke bruk hastighetsvelgeren mens verktøyet er i bruk. Dette kan skade verktøyet.

Hastighetsvelgerens posisjon	Hastighet	Moment	Aktuell drift
1	Lav	Høy	Drift med tung last
2	Høy	Lav	Drift med lett last

Slå av verktøyet for å endre hastighet. Velg posisjon «2» for høy hastighet eller posisjon «1» for lav hastighet med høyt dreiemoment. Forviss deg om at hastighetsvelgeren er i riktig posisjon før du tar i bruk maskinen. Hvis hastigheten på verktøyet reduseres betydelig under drift i posisjon «2», skyv velgeren til posisjon «1» og start operasjonen på nytt.

Justere tiltrekkingsmomentet

► Fig.7: 1. Justeringsring 2. Gradinndeling 3. Pil

Tiltrekkingsmomentet kan justeres i 21 nivåer ved å dreie justeringsringen. Rett inn gradinndelingen med pilen på verktøykroppen. Du oppnår minimum tiltrekkingsmoment i posisjon 1 og maksimalt dreiemoment ved  -merket. Clutchen vil slure på forskjellige momentnivåer når den er innstilt på nummer 1 til 20. Kløtsjen fungerer ikke ved  -merking.

Før den faktiske arbeidsoperasjonen skal utføres, bør du skru inn en prøveskrue i materialet ditt, eller i et materiale av samme type, for å finne ut hvilket dreiemoment som kreves for en bestemt bruk.

Følgende viser en oversikt over forholdet mellom størrelse på skruen og gradinndelingen.

Gradinndeling		1	2	3	4	5	6	7	8	9	10	11	12	13	14	15	16	17	18	19	20
Maskinskrue		M4						M5						M6							
Treskrue	Mykt tre (f.eks. furu)	–						φ3,5 x 22						φ4,1 x 38							
	Hardt tre (f.eks. kryssfinér)	–						φ3,5 x 22						–							
		–						–						φ4,1 x 38							

MONTERING

⚠FORSIKTIG: Forviss deg alltid om at maskinen er slått av og batteriet tatt ut før du utfører noe arbeid på maskinen.

Montere eller demontere skrutrekkerbor eller bor

For modellen DF333D (valgfritt tilbehør)

► Fig.8: 1. Hylse 2. Lukke 3. Åpne

Skru mansjett med klokken for å åpne kjevene på kjoksen. Sett skrutrekkerboret/boret så langt inn i kjoksen som det vil gå. Vri mansjett med klokken for å stramme kjoksen. For å fjerne skrutrekkerboret/boret må du vri mansjett mot klokken.

Montere eller demontere skrutrekkerbor eller hulbor

For modellen DF033D (valgfritt tilbehør)

► Fig.9

Bruk bare skrutrekkerbor eller hulbor som har åpningsdimensjoner som vist i figuren. Ikke bruk andre skrutrekkerbor/hulbor.

MERK: Både grunnere type (A=12 mm, B=9 mm) og dypere type (A=17 mm, B=14 mm) av driverbits kan brukes.

Hvis du vil montere skrutrekkerboret må du dra hylsen i pilretningen og sette skrutrekkerboret så langt inn i hylsen som mulig. Deretter fjerner du hylsen for å feste skrutrekkerboret.

► Fig.10: 1. Skrutrekkerbor 2. Hylse

For å demontere skrutrekkerboret må du dra hylsen i pilretningen og dra skrutrekkerboret ut.

MERK: Hvis skrutrekkerboret ikke settes langt nok inn i hylsen, går ikke hylsen tilbake til utgangsposisjon og skrutrekkerboret sikres ikke. I slike tilfeller må du prøve å sette inn bitset på nytt i henhold til instruksene over.

MERK: Når skrutrekkerboret er satt inn, må du forsikre deg om at det sitter godt. Hvis det faller ut, må du ikke bruke det.

Monteringskrok

⚠FORSIKTIG: Når du monterer kroken, må du stramme skruen godt. Hvis ikke kan kroken løsne fra verktøyet og forårsake personskaade.

► Fig.11: 1. Spor 2. Krok 3. Skruer

Kroken er praktisk for å henge opp verktøyet med for kortere tid. Den kan monteres på begge sider av verktøyet. For å montere kroken, må du sette den inn i sporet på en av sidene av verktøyhuset og feste den med en skrue. Ta den av igjen ved å løsne skruen.

Montere skrutrekkerborholder

Valgfritt tilbehør

► Fig.12: 1. Skrutrekkerborholder 2. Skrutrekkerbor

Sett skrutrekkerborholderen inn i fremspringet på foten av maskinen, enten på høyre eller venstre side og fest den med en skrue.

Når du ikke bruker skrutrekkerboret, må du oppbevare det i skrutrekkerborholderne. Her kan det oppbevares opptil 45 mm lange skrutrekkerbor.

BRUK

⚠FORSIKTIG: Batteriet må alltid settes helt inn, til det låses på plass. Hvis du kan se den røde anviseren på oversiden av knappen, er det ikke fullstendig låst. Sett batteriet helt inn, så langt at den røde anviseren ikke lenger er synlig. Hvis dette ikke gjøres, kan batteriet falle ut av maskinen og skade deg eller andre som oppholder seg i nærheten.

⚠FORSIKTIG: Når hastigheten reduseres kraftig, må du redusere belastningen på verktøyet eller stoppe det for å unngå skade på verktøyet.

Hold maskinen godt med en hånd på håndtaket og den andre hånden nederst på batteripatronen for å holde kontroll på svinge-bevegelsene.

► Fig.13

Skrutrekkerfunksjon

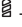
⚠FORSIKTIG: Bruk justeringsringen til å stille inn korrekt momentnivå for den jobben du skal gjøre.

⚠FORSIKTIG: Pass på at skrutrekkerbitset er satt rett ned i skruehodet, ellers kan skruen og/eller skrutrekkerboret bli skadet.

Plasser spissen av boret i skruehodet og bruk trykk på verktøyet. Start verktøyet sakte. Øk hastigheten gradvis. Slipp opp startbryteren når clutchen slår inn.

MERK: Når du skrur inn en treskrue, må du forhånds-bore et pilot hull på 2/3 av skrueens diameter. Dette gjør det enklere å skru inn skruen, og hindrer at treverket sprekker.

Borfunksjon

Vri først justeringsringen slik at pilen peker mot  -merket. Fortsett deretter som følger.

Bore i tre

Når du borer i tre, blir resultatene best med trebor som er utstyrt med en ledeskrue. Ledeskruen forenkler boringen ved at den trekker skrutrekkerboret inn i arbeidsstykket.

Bore i metall

For at ikke skrutrekkerboret skal gli når du begynner å bore, må du lage en fordypning med en dor og en hammer der hullet skal bores. Sett spissen av skrutrekkerboret i fordypningen og begynn å bore. Bruk en skjærevæske når du borer i metall. Unntakene er jern og messing som skal bores tørt.

⚠FORSIKTIG: Hvis du bruker for mye kraft på verktøyet, vil det ikke øke borehastigheten. Overdreven bruk av kraft vil tvert imot kunne bidra til å ødelegge spissen av skrutrekkerboret, redusere verktøyeffekten og forkorte verktøyet levetid.

⚠FORSIKTIG: Hold verktøyet i et fast grep, og vær forsiktig når skrutrekkerboret begynner å bryte gjennom arbeidsstykket. I gjennombruddsøyeblikket virker det en enorm kraft på verktøyet/skrutrekkerboret.

⚠FORSIKTIG: Et skrutrekkerbor som sitter fast kan fjernes hvis du setter reversbryteren til motsatt rotasjonsretning, så verktøyet kan bakke ut. Verktøyet kan imidlertid komme brått ut hvis du ikke holder det i et fast grep.

⚠FORSIKTIG: Arbeidsstykker må alltid festes med en skrustikke eller en liknende festeanordning.


⚠FORSIKTIG: Hvis verktøyet brukes kontinuerlig inntil batteriet er utladet, må du la verktøyet hvile i 15 minutter før du fortsetter med et nytt batteri.

Bruke verktøyet som manuell skrutrekker

► Fig.14

Slå av verktøyet.

Sett reverseringsspaken i nøytral posisjon.

Drei justeringsringen slik at pilen peker mot  -merket. Drei verktøyet.

MERK: Slik bruk er nyttig ved kontroll av skruingen.

MERK: Ikke bruk maskinen til arbeid som krever stor kraft, som f.eks. festing av skruer eller fjerning av rustne skruer.

Bruke hylster

Valgfritt tilbehør

⚠️FORSIKTIG: Når du bruker hylsteret, må du ta ut et skrutrekkerbor/bor.

⚠️FORSIKTIG: Slå av verktøyet og vent til det står helt stille før du setter det i hylsteret.

Pass på å lukke hylsteret ordentlig, med hylsterknappen, så maskinen holdes på plass i hylsteret.

1. Tre et belte eller liknende gjennom hylsterholderen.

► **Fig.15:** 1. Hylsterholder 2. Magebelte

2. Plasser maskinen i hylsteret og lås det med hylsterknappen.

► **Fig.16**

► **Fig.17**

Du kan oppbevare to skrutrekkerbor foran på hylsteret.

VEDLIKEHOLD

⚠️FORSIKTIG: Forviss deg alltid om at maskinen er slått av og batteriet tatt ut før du foretar inspeksjon eller vedlikehold.

OBS: Aldri bruk gasolin, bensin, tynner alkohol eller lignende. Det kan føre til misfarging, deformering eller sprekkdannelse.

For å opprettholde produktets SIKKERHET og PALITELIGHET, må reparasjoner, vedlikehold og justeringer utføres av autoriserte Makita servicesentre eller fabrikk-servicesentre, og det må alltid brukes reservedeler fra Makita.

VALGFRITT TILBEHØR

⚠️FORSIKTIG: Det anbefales at du bruker dette tilbehøret eller verktøyet sammen med den Makita-maskinen som er spesifisert i denne håndboken. Bruk av annet tilbehør eller verktøy kan forårsake personskader. Tilbehør og verktøy må kun brukes til det formålet det er beregnet på.

Ta kontakt med ditt lokale Makita-servicesenter hvis du trenger mer informasjon om dette tilbehøret.

- Bor
- Skrutrekkerbor
- Hulbor
- Skrutrekkerborholder
- Hylster
- Verktøykoffert av plast
- Krok
- Makita originalbatteri og lader

MERK: Enkelte elementer i listen kan være inkludert som standardtilbehør i verktøypakken. Elementene kan variere fra land til land.

TEKNISEET TIEDOT

Malli:		DF333D	DF033D
Porauskapasiteetti	Teräs	10 mm	
	Puu	21 mm	
Kiinnityskapasiteetti	Puuruuvi	5,1 mm x 63 mm	
	Koneruuvi	M6	
Kuormittamaton kierrosnopeus	Korkea (2)	0 - 1 700 min ⁻¹	
	Matala (1)	0 - 450 min ⁻¹	
Kokonaispituus		179 mm	149 mm
Nimellisjännite		DC 10,8 V - 12 V maks.	
Nettopaino		1,1 - 1,2 kg	0,93 - 1,1 kg

- Jatkuvaasta tutkimus- ja kehitystyöstämme johtuen esitetyt tekniset tiedot saattavat muuttua ilman erillistä ilmoitusta.
- Tekniset tiedot voivat vaihdella maittain.
- Paino voi olla erilainen lisävarusteista sekä akusta johtuen. EPTA-menettelytavan 01/2014 mukaisesti, taulukossa on kuvattu kevyin ja painavin laiteyhdistelmä.

Käytettävä akkupaketti ja laturi

Akkupaketti	BL1015 / BL1016 / BL1020B / BL1021B / BL1040B / BL1041B
Laturi	DC10SA / DC10SB / DC10WC / DC10WD / DC18RE

- Tiettyjä yläpuolella kuvattuja akkuja ja latureita ei ehkä ole saatavana asuinalueestasi johtuen.

VAROITUS: Käytä vain edellä eriteltyjä akkupaketteja ja latureita. Muiden akkupakettien ja laturien käyttäminen voi aiheuttaa loukkaantumisen ja/tai tulipalon.

Käyttötarkoitus

Työkalu on tarkoitettu puun, metallin ja muovin poraamiseen ja ruuvaamiseen.

Melutaso

Tyypillinen A-painotettu melutaso määräytyy standardin EN62841-2-1 mukaan:

Malli DF333D

Äänenpainetaso (L_{pA}): 70 dB (A) tai vähemmän
Virhemarginaali (K): 3 dB (A)

Työskentelyn aikana melutaso voi ylittää 80 dB (A).

Malli DF033D

Äänenpainetaso (L_{pA}): 70 dB (A) tai vähemmän
Virhemarginaali (K): 3 dB (A)

Työskentelyn aikana melutaso voi ylittää 80 dB (A).

VAROITUS: Käytä kuulosuojaimia.

Tärinä

Kokonaistärinä (kolmen akselin vektorien summa) määräytyy standardin EN62841-2-1 mukaan:

Malli DF333D

Työtila: metalliin poraus
Tärinäpäästö ($a_{h,D}$): 2,5 m/s² tai alhaisempi
Virhemarginaali (K): 1,5 m/s²

Malli DF033D

Työtila: metalliin poraus
Tärinäpäästö ($a_{h,D}$): 2,5 m/s² tai alhaisempi
Virhemarginaali (K): 1,5 m/s²

HUOMAA: Ilmoitettu tärinäpäästöarvo on mitattu standarditestausten mukaisesti, ja sen avulla voidaan vertailla työkaluja keskenään.

HUOMAA: Ilmoitettua tärinäpäästöarvoa voidaan käyttää myös altistumisen alustavaan arviointiin.

VAROITUS: Työkalun käytön aikana mitattu todellinen tärinäpäästöarvo voi poiketa ilmoitetusta tärinäpäästöarvosta työkalun käyttötavan mukaan.

VAROITUS: Selvitä käyttäjän suojaamiseksi tarvittavat varoimet todellisissa käyttöolosuhteissa tapahtuvan arvioitun altistumisen mukaisesti (ottaen huomioon käyttöjakso kokonaisuudessaan, myös jaksot, joiden aikana työkalu on sammutettuna tai käy tyhjäkäynnillä).

EY-vaatimustenmukaisuusvakuutus

Koskee vain Euroopan maita

EY-vaatimustenmukaisuusvakuutus on liitetty tähän käyttöoppaaseen.

TURVAROITUKSET

Sähkötyökalujen käyttöä koskevat yleiset varoitukset

VAROITUS: Tutustu kaikkiin tämän sähkötyökalun mukana toimitettuihin varoituksiin, ohjeisiin, kuviin ja teknisiin tietoihin. Seuraavassa lueteltujen ohjeiden noudattamatta jättäminen saattaa johtaa sähköiskun, tulipaloon tai vakavaan vammautumiseen.

Säilytä varoitukset ja ohjeet tulevaa käyttöä varten.

Varoituksissa käytettävällä termillä "sähkötyökalu" tarkoitetaan joko verkkovirtaa käyttävää (johdollista) työkalua tai akkukäyttöistä (johdotonta) työkalua.

Akkuporakoneen turvavaroitukset

- Käytä työkalun mukana mahdollisesti toimitettua lisäkahvaa tai-kahvoja.** Hallinnan menetys voi aiheuttaa henkilövahinkoja.
- Kun suoritat toimenpidettä, jossa leikkaustyökalu voi joutua kosketukseen piilossa olevien johtojen kanssa, pidä kiinni työkalusta sen eristetyin tarttumispinnan kohdalta.** Jos leikkaustyökalu joutuu kosketukseen jännitteisen johdon kanssa, jännite voi siirtyä työkalun sähköä johtaviin metalliosiin ja aiheuttaa käyttäjälle sähköiskun.
- Pitele sähkötyökalua sen eristetyistä tartuntapinnoista silloin, kun on mahdollista, että kiinnitystarvike saattaa osua piilossa oleviin johtoihin.** Kiinnitystarvikkeen osuminen jännitteiseen johtoon voi johtaa jännitteen työkalun sähköä johtaviin metalliosiin ja aiheuttaa käyttäjälle sähköiskun.
- Seiso aina tukevassa asennossa.** Varmista korkealla työskennellessäsi, että ketään ei ole alapuolella.
- Ota koneesta luja ote.**
- Pidä kädet loitolla pyörivistä osista.**
- Älä jätä konetta käymään itseksensä.** Käytä laitetta vain silloin, kun pidät sitä kädessä.
- Älä kosketa terää tai työkalua välittömästi käytön jälkeen, sillä ne voivat olla erittäin kuumia ja aiheuttaa palovammoja.**
- Jotkin materiaalit sisältävät kemikaaleja, jotka voivat olla myrkyllisiä.** Huolehdi siitä, että pölyn sisäänhengittäminen ja ihokosketus estetään. Noudata materiaalin toimittajan turvaohjeita.
- Jos poranterää ei voi irrottaa vaikka avaisit leuat, käytä pihtejä sen ulosvetämiseen.** Tässä tapauksessa poranterän ulosvetäminen käsin voi aiheuttaa tapaturmia sen terävästä reunasta johtuen.

SÄILYTÄ NÄMÄ OHJEET.

VAROITUS: ÄLÄ anna työkalun helpokäyttöisyyden (toistuvan käytön aikaansaama) johtaa sinua väärään turvallisuuden tunteeseen niin, että laiminlyöt työkalun turvaohjeiden noudattamisen. **VÄÄRINKÄYTTÖ** tai tässä käyttöohjeessa ilmoitettujen turvämääräysten laiminlyönti voi aiheuttaa vakavia henkilövahinkoja.

Akkupakettia koskevia tärkeitä turvaohjeita

- Ennen akun käyttöönottoa tutustu kaikkiin laturissa (1), akussa (2) ja akkukäyttöisessä tuotteessa (3) oleviin varoitusteksteihin.**
- Älä pura akkua.**
- Jos akun toiminta-aika lyhenee merkittävästi, lopeta akun käyttö.** Seurauksena voi olla ylikuumeneminen, palovammoja tai jopa räjähdys.
- Jos akunestettä pääsee silmiin, huuhtele puhtaalla vedellä ja hakeudu välittömästi lääkärin hoitoon.** Akkuneuste voi aiheuttaa näön menetyksen.
- Älä oikosulje akkua.**
 - Älä koske akun napoihin millään sähköä johtavalla materiaaalilla.**
 - Vältä akun oikosulkemista äläkä säilytä akkua yhdessä muiden metalliesineiden, kuten naulojen, kolikoiden ja niin edelleen kanssa.**
 - Älä aseta akkua alttiiksi vedelle tai sateelle.** Oikosulku voi aiheuttaa virtapiikin, ylikuumenemista, palovammoja tai laitteen rikkoontumisen.
- Älä säilytä työkalua ja akkua paikassa, jossa lämpötila voi nousta 50 °C:een tai sitäkin korkeammaksi.**
- Älä hävitä akkua polttamalla, vaikka se olisi pahoin vaurioitunut tai täysin loppuun kulunut.** Avotuli voi aiheuttaa akun räjähtämisen.
- Varo kolhimasta tai pudottamasta akkua.**
- Älä käytä viallista akkua.**
- Sisältyviä litium-ioni-akkuja koskevat vaarallisten aineiden lainsäädännön vaatimukset.** Esimerkiksi kolmansien osapuolten huoltaliikkeiden tulee kaupallisissa kuljetuksissa noudattaa pakkaamista ja merkintöjä koskevia erityisvaatimuksia. Lähetettävän tuotteen valmistelu edellyttää vaarallisten aineiden asiantuntijan neuvontaa. Huomioi myös mahdollisesti yksityiskohtaisemmat kansalliset määräykset Akun avoimet liittimet tulee suojata teipillä tai suojuksella ja pakkaaminen tulee tehdä niin, ettei akku voi liikkua pakkauksessa.
- Hävitä akku paikallisten määräysten mukaisesti.**
- Käytä akkuja vain Makitan ilmoittamien tuotteiden kanssa.** Akkujen asentaminen yhteensopimattomiin tuotteisiin voi aiheuttaa tulipalon, liiallisen ylikuumenemisen, räjähdyksen tai akkuneustevuotoja.

SÄILYTÄ NÄMÄ OHJEET.

HUOMIO: Käytä vain alkuperäisiä Makita-akkuja. Muiden kuin aitojen Makita-akkujen, tai mahdollisesti muutettujen akkujen käyttö voi johtaa akun murtumiseen ja aiheuttaa tulipaloja, henkilö- ja omaisuusvahinkoja. Se mitätöi myös Makita-työkalun ja -laturin Makita-takuun.

Vihjeitä akun käyttöiän pidentämiseksi

- Lataa akku ennen kuin se purkautuu täysin.** Lopeta aina työkalun käyttö ja lataa akku, jos huomaat työkalun tehon vähenevän.
- Älä koskaan lataa uudestaan täysin ladattua akkua.** Ylilataaminen lyhentää akun käyttöikä.
- Lataa akku huoneen lämpötilassa välillä 10 °C - 40 °C.** Anna kuuman akun jäähtyä ennen lataamista.

TOIMINTOJEN KUVAUS

⚠️HUOMIO: Varmista aina ennen säätöjä ja tarkastuksia, että työkalu on sammutettu ja akkupaketti irrotettu.

Akun asentaminen tai irrottaminen

⚠️HUOMIO: Sammuta työkalu aina ennen akun kiinnittämistä tai irrottamista.

⚠️HUOMIO: Pidä työkalusta ja akusta tiukasti kiinni, kun irrotat tai kiinnität akkua. Jos akkupaketti tai työkalu putoaa, ne voivat vaurioitua tai aiheuttaa tapaturman.

► **Kuva1:** 1. Punainen merkkivalo 2. Painike
3. Akkupaketti

Irrota akku painamalla akun etupuolella olevaa painiketta ja vetämällä akku ulos työkalusta.

Akku liitetään sovittamalla akun kieleke rungon uraan ja työntämällä se sitten paikoilleen. Työnnä akku pohjaan asti niin, että kuulet sen napsahtavan paikoilleen. Jos painikkeen yläpuolella näkyy punainen ilmaisin, akku ei ole lukkiutunut täysin paikoilleen.

⚠️HUOMIO: Työnnä akku aina pohjaan asti, niin että punainen ilmaisin ei enää näy. Jos akku ei ole kunnolla paikallaan, se voi pudota työkalusta ja aiheuttaa vammoja joko sinulle tai sivullisille.

⚠️HUOMIO: Älä käytä voimaa akun asennuksessa. Jos akku ei lii'vu paikalleen helposti, se on väärässä asennossa.

Akun suojausjärjestelmä

Työkalu on varustettu akun suojausjärjestelmällä. Tämä järjestelmä pidentää akun käyttöikää katkaisemalla moottorin virran automaattisesti. Työkalu pysähtyy automaattisesti kesken käytön, jos työkalussa tai akussa ilmenee jokin seuraavista tilanteista:

Ylikuormitus:

Työkalua käytetään tavalla, joka saa sen kuluttamaan epätavallisen paljon virtaa.

Katkaise tässä tilanteessa työkalusta virta ja lopeta ylikuormitus tilan aiheuttanut käyttö. Käynnistä sitten työkalu uudelleen kytkemällä siihen virta.

Jos työkalu ei käynnisty, akku on ylikuumentunut. Anna tässä tilanteessa akun jäähtyä, ennen kuin kytket työkaluun virran uudelleen.

Alhainen akun jännite:

Akun varaus on liian alhainen eikä riitä työkalun käyttämiseen. Jos kytket työkalun päälle, moottori alkaa toimia, mutta pysähtyy pian. Irrota tässä tilanteessa akku ja lataa se.

Akun jäljellä olevan varaustason ilmaisin

Vain akkupaketeille ilmaisimella

► **Kuva2:** 1. Merkkivalot 2. Tarkistuspainike

Painamalla tarkistuspainiketta saat näkyviin akun jäljellä olevan varauksen. Merkkivalot palavat muutaman sekunnin ajan.

Merkkivalot		Akussa jäljellä olevan varaus
Palaa	Pois päältä	
■ ■ ■ ■	□	75% - 100%
■ ■ ■ □	□	50% - 75%
■ ■ □ □	□ □	25% - 50%
■ □ □ □	□ □ □ □	0% - 25%

HUOMAA: Ilmoitettu varaustaso voi erota hieman todellisesta varaustasosta sen mukaan, millaisissa oloissa ja missä lämpötilassa laitetta käytetään.

Kytkimen käyttäminen

► **Kuva3:** 1. Liipaisinkytkin

⚠️HUOMIO: Tarkista aina ennen akkupaketin asettamista työkaluun, että liipaisinkytkin kytketty oikein ja palaa "OFF"-asettoon, kun se vapautetaan.

Käynnistä työkalu painamalla liipaisinkytkintä. Mitä voimakkaammin liipaisinkytkintä painetaan, sitä nopeammin työkalu pyörii. Voit pysäyttää työkalun vapauttamalla liipaisimen.

Etulampun sytyttäminen

► **Kuva4:** 1. Lamppu

⚠️HUOMIO: Älä katso suoraan lampuun tai valonlähteeseen.

Lamppu syttyy, kun painat liipaisinkytkintä. Lamppu palaa niin kauan kuin liipaisinkytkintä painetaan. Lamppu sammuu noin 10 sekunnin kuluttua liipaisinkytkimen vapauttamisesta.

HUOMAA: Pyyhi lika pois linsistä kuivalla liinalla. Varo naarmuttamasta linssiä, ettei valoteho laske.

Pyörimissuunnan vaihtokytkimen toiminta

► **Kuva5:** 1. Pyörimissuunnan vaihtokytkimen vipu

⚠️HUOMIO: Tarkista aina pyörimissuunta ennen käyttöä.

⚠️HUOMIO: Käytä pyörimissuunnan vaihtokytkintä vasta sen jälkeen, kun kone on lakannut kokonaan pyörimästä. Pyörimissuunnan vaihto koneen vielä pyöriessä voi vahingoittaa sitä.

⚠️HUOMIO: Aina kun konetta ei käytetä, käännä pyörimissuunnan vaihtokytkin keskiasentoon.

Työkälussa on pyörimissuunnan vaihtokytkin. Jos haluat koneen pyöriävän myötäpäivään, paina vaihtokytkintä A-puolelta ja jos vastapäivään, paina sitä B-puolelta.

Jos pyörimissuunnan vaihtokytkin on keskiasennossa, liipaisinkytkin lukittuu.

Nopeuden muuttaminen

► **Kuva6:** 1. Nopeudenvaihtovipu

▲HUOMIO: Siirrä nopeudenvaihtokytkin aina täysin oikeaan asentoon. Jos käytät työkalua niin, että nopeudenvaihtovipu on asentojen "1" ja "2" puolivälissä, työkalu voi rikkoutua.

▲HUOMIO: Älä koske nopeudenvaihtovipuun, kun työkalu on käynnissä. Työkalu voi rikkoutua.

Nopeudenvaihtovivun asento	Nopeus	Vääntömomentti	Soveltuva käyttö
1	Matala	Korkea	Raskas kuormituskäyttö
2	Korkea	Matala	Kevyt kuormituskäyttö

Kun haluat muuttaa nopeutta, katkaise ensin työkälusta virta. Valitse puoli "2" suurelle nopeudelle tai "1" alhaiselle nopeudelle mutta suurelle vääntömomentille. Varmista ennen käyttöä, että nopeudenvaihtovipu on halutussa asennossa.

Jos työkalun nopeus pienenee huomattavasti, kun sitä käytetään asennossa "2", siirrä vipu asentoon "1" ja aloita käyttö uudelleen.

Kiinnitysvääntömomentin säätäminen

► **Kuva7:** 1. Säästörengas 2. Asteikko 3. Nuoli

Kiinnitysvääntömomenttia voi säätää 21 tasoon säästörengasta kiertämällä. Kierrä haluamasi asetus työkalun rungossa olevan nuolen kohdalle. Saat pienimmän kiinnitysvääntömomentin käyttäessäsi asetusta 1 ja suurinta asetusta 21 -merkki.

Kytkin liukuu erilaisten momenttitasojen välillä, kun se on asetettu välille 1 - 20. Kytkin ei toimi 21 -merkinnän kohdalla.

Ennen varsinaista käyttöä, aja koeruuvi materiaaliin tai kaksinkertaiseen materiaalipalaseen määrittääksesi, mikä momenttitaso on sopiva kyseiseen käyttötarkoitukseen.

Seuraavassa on esitetty poranterän koon ja momenttiasetuksen välinen arvioitu suhde.

Asteikko	1	2	3	4	5	6	7	8	9	10	11	12	13	14	15	16	17	18	19	20
Koneruuvi	M4								M5								M6			
Puuruuvi	Pehmeä puu (esim. mänty)								-				φ3,5 x 22				φ4,1 x 38			
	Kova puu (esim. lauan)								-				φ3,5 x 22				-			
	-								-				-				φ4,1 x 38			

KOKOONPANO

▲HUOMIO: Varmista aina ennen mitään työkalulle tehtäviä toimenpiteitä, että se on sammutettu ja akku irrotettu.

Ruuvaukärjen/poranterän asentaminen tai irrottaminen

Mallin DF333D (lisävaruste)

► **Kuva8:** 1. Holkki 2. Kiinni 3. Auki

Avaa istukan leuat kääntämällä holkkia vastapäivään. Työnnä ruuvaukärki/poranterä niin syvälle istukkaan kuin se menee. Kiristä istukan leuat kääntämällä holkkia myötäpäivään. Irrota ruuvaukärki/poranterä kääntämällä holkkia vastapäivään.

Ruuvaukärjen/kärkipalan asentaminen tai irrottaminen

Mallin DF033D (lisävaruste)

► **Kuva9**

Käytä vain ruuvaukärkeä tai istukkakärkeä, joissa on kuvan mukaiset kiinnityskohdat. Älä käytä mitään muunlaista ruuvaukärkeä tai istukkakärkeä.

HUOMAA: Laitteessa voidaan käyttää sekä lyhyempiä (A=12 mm ja B=9 mm) että pidempiä (A=17 mm ja B=14 mm) porankärkiä.

Ruuvaukärjen asentamiseksi vedä holkkia nuolen osoittamaan suuntaan ja aseta pää holkkiin niin pitkälle, kuin se menee.

Vapauta sitten holkki varmistaaksesi ruuvaukärjen.

► **Kuva10:** 1. Ruuvaukärki 2. Holkki

Vedä holkkia nuolen osoittamaan suuntaan kärjen irrottamiseksi ja vedä ruuvaukärki ulos.

HUOMAA: Jos ruuvauskärkeä ei ole asennettu holkkiin tarpeeksi syväälle, holkki ei palaa alkuperäiseen asentoonsa eikä ruuvauskärkeä ole varmistettu. Yritä tässä tapauksessa asentaa ruuvauskärki uudelleen yllä mainittujen ohjeiden mukaan.

HUOMAA: Varmista kärjen kiinnityksen pitävyyden kiinnittämisen jälkeen. Jos kärki ei pysy paikallaan, älä käytä sitä.

Koukun asentaminen

▲HUOMIO: Kun asennat koukun, kiristä se aina kiinni ruuvilla. Muutoin koukku voi irrota laitteesta ja aiheuttaa henkilövamman.

► Kuva11: 1. Ura 2. Koukku 3. Ruuvi

Työkalu voidaan kätevästi ripustaa väliaikaisesti koukkuun. Tämä voidaan asentaa kummalle puolelle työkalua tahansa. Asenna koukku työntämällä se työkalun rungon uraan jommallekummalle puolelle ja varmista kiinnitys ruuvilla. Voit irrottaa koukun löysäämällä ja irrottamalla ruuvin.

Ruuvauskärjen asennus

Lisävaruste

► Kuva12: 1. Ruuvauskärjen pidin 2. Ruuvauskärki

Aseta ruuvauskärjen pidin työkalun jalassa olevaan ulkonemaan joko vasemmalle tai oikealle puolelle ja kiinnitä se paikalleen ruuvilla.

Kun ruuvauskärkeä ei käytetä, säilytä sitä ruuvauskärjen pitimissä. Siinä voidaan säilyttää 45 mm:n pituisia ruuvauskärkiä.

TYÖSKENTELY

▲HUOMIO: Työnnä akkupaketti pohjaan asti, niin että se napsahtaa paikoilleen. Jos painikkeen yläpuolella näkyy punainen ilmaisin, akku ei ole lukkiutunut täysin paikoilleen. Työnnä se pohjaan asti, niin että punaista ilmaisinta ei enää näy. Jos akku ei ole kunnolla paikallaan, se voi pudota työkalusta ja aiheuttaa vammoja joko sinulle tai sivullisille.

▲HUOMIO: Kun työkalun nopeus pienenee huomattavasti, vähennä työkalun kuormitusta tai pysäytä työkalu, jotta se ei vaurioidu.

Pidä työkalusta lujasti kiinni siten, että pidät kahvasta yhdellä kädellä ja akun pohjasta toisella kädellä pyörimistoiminnan hallitsemiseksi.

► Kuva13

Ruuvaaminen


▲HUOMIO: Säädä kiristysmomentti sopivaksi säätörengasta avulla.

▲HUOMIO: Varmista, että ruuvauskärjen pää on suorassa kulmassa ruuvin kantaan nähden; muuten ruuvi ja/tai ruuvauskärki voivat vahingoittua.

Aseta ruuvauskärjen pää ruuvin kantaan ja paina kärkeä ruuvia vasten. Käynnistä työkalu varovasti ja lisää nopeutta asteittain. Vapautaa liipaisinkytkin heti, kun kytkin alkaa ottaa.

HUOMAA: Kun kiinnität puuruuveja, tee ensin aloitusreikä, jonka halkaisija on 2/3 reiän halkaisijasta. Se helpottaa ruuvaamista ja vähentää työkappaleen halkeamisen vaaraa.

Poraustoiminta

Käännä ensin säätörengasta niin, että nuoli osoittaa  -merkkiä. Tee sitten näin.

Puun poraaminen

Puuta porattaessa paras lopputulos saadaan ohjausruuvilla varustetuilla puuterillä. Ohjausruuvi helpottaa poraamista vetämällä poranterää työkappaleeseen.

Metallin poraaminen

Poranterän syrjään luiskahtamisen ehkäisemiseksi porauksen alussa, tee ensin porauskohtaan pieni kolo punsilla ja vasaralla. Aseta poran kärki koloon ja aloita poraaminen.

Käytä metallia poratessasi leikkuuöljyä. Poikkeuksena ovat rauta ja messinki, joita tulee porata kuivana.

▲HUOMIO: Työkalun painaminen liian voimakkaasti ei nopeuta poraamista. Päinvastoin liiallinen paine vain tylsyyttää poranterää, hidastaa työtä ja lyhentää työkalun käyttöikää.

▲HUOMIO: Pidä työkalu tukevassa otteessa ja ole varovainen, kun terä alkaa porautua läpi työkappaleesta. Työkaluun/terään kohdistuu valtava voima, kun terä porautuu läpi.

▲HUOMIO: Juuttuneen terän voi irrottaa vaihtamalla terän pyörimissuuntaa ja peruuttamalla. Pidä kuitenkin työkalusta lujasti kiinni, sillä se voi tökätä taaksepäin äkinäisesti.

▲HUOMIO: Kiinnitä työkappaleet aina viilapenkkiin tai vastaavaan pidikkeeseen.


▲HUOMIO: Jos työkalua käytetään jatkuvasti niin pitkään, että akku tyhjenee, anna työkalun seistä 15 minuuttia ennen kuin jatkat työskentelyä uudella akulla.

Työkalun käyttäminen käsi-ruuvimeisselinä

► Kuva14

Kytke työkalu pois päältä.

Siirrä suunnanvaihtokytkimen vipu vapaa-asentoon.

Käännä säätörengasta niin, että nuoli osoittaa  -merkkiä.

Käännä työkalu päälle.

HUOMAA: Tämän käyttö on käytännöllinen ruuvi-meisselin käytön tarkastamiseksi.

HUOMAA: Älä käytä työkalua suurta voimaa vaativiin töihin, kuten pulttien kiristämiseen tai ruostuneiden ruuvien irrottamiseen.

Kotelon käyttäminen

Lisävaruste

⚠️HUOMIO: Kun käytät koteloa, poista ruuvauskärki/poranterä työkalusta.

⚠️HUOMIO: Sammuta työkalu ja varmista, että se on täysin pysähtynyt, ennen kuin asetat sen koteloon. Varmista, että suljet kotelon tiukasti siten, että työkalu pysyy siinä tukevasti.

1. Pujota vyö tai muu vastaava kotelon lenkin lävitse.

► **Kuva15:** 1. Kotelon pidike 2. Vyötärövyö

2. Aseta työkalu koteloon ja lukitse se paikalleen kotelon painonapin avulla.

► **Kuva16**

► **Kuva17**

Voit säilyttää kahta kärkipalaa kotelon etupuolella.

KUNNOSSAPITO

⚠️HUOMIO: Varmista aina ennen tarkastusta tai huoltoa, että työkalu on sammutettu ja akku irrotettu.

HUOMAUTUS: Älä koskaan käytä bensiiniä, ohenteita, alkoholia tai tms. aineita. Muutoin pinta voi halkeilla tai sen värit ja muoto voivat muuttua. Muutoin laitteeseen voi tulla värjäytymiä, muodon vääristymiä tai halkeamia.

Tuotteen TURVALLISUUDEN ja LUOTETTAVUUDEN takaamiseksi korjaukset, muut huoltotyöt ja säädöt on teetettävä Makitan valtuutetussa huoltopisteessä Makitan varaosia käyttäen.

LISÄVARUSTEET

⚠️HUOMIO: Seuraavia lisävarusteita tai laitteita suositellaan käytettäväksi tässä ohjeessa kuvatun Makita-työkalun kanssa. Muiden lisävarusteiden tai laitteiden käyttö voi aiheuttaa henkilövahinkoja. Käytä lisävarusteita ja -laitteita vain niiden käyttötarkoituksen mukaisesti.

Jos tarvitset apua tai yksityiskohtaisempia tietoja seuraavista lisävarusteista, ota yhteys paikalliseen Makitan huoltoon.

- Poranterät
- Ruuvauskärjet
- Hylsykärjet
- Ruuvauskärjen pidin
- Kotelo
- Muovinen kantolaukku
- Koukku
- Aito Makitan akku ja laturi

HUOMAA: Jotkin luettelossa mainitut varusteet voivat sisältyä työkalun toimitukseen vakiovarusteina. Ne voivat vaihdella maittain.

SPECIFIKĀCIJAS

Modelis:		DF333D	DF033D
Urbšanas spēja	Tērauds	10 mm	
	Koks	21 mm	
Pievilšanas spēja	Koka skrūve	5,1 mm × 63 mm	
	Nostiprinātājskrūve	M6	
Ātrums bez slodzes	Liels (2)	0 - 1 700 min ⁻¹	
	Mazs (1)	0 - 450 min ⁻¹	
Kopējais garums		179 mm	149 mm
Nominālais spriegums		10,8 V - 12 V maks. līdzstrāva	
Neto svars		1,1 - 1,2 kg	0,93 - 1,1 kg

- Nepārtrauktās izpētes un izstrādes programmas dēļ šeit uzrādītās specifikācijas var tikt mainītas bez brīdinājuma.
- Atkarībā no valsts specifikācijas var atšķirties.
- Svārs var būt atšķirīgs atkarībā no papildierīces(-ēm), tostarp akumulatora kasetnes. Tabulā ir attēlota vieglākā un smagākā kombinācija atbilstoši EPTA procedūrai 01/2014.

Piemērotā akumulatora kasetne un lādētājs

Akumulatora kasetne	BL1015 / BL1016 / BL1020B / BL1021B / BL1040B / BL1041B
Lādētājs	DC10SA / DC10SB / DC10WC / DC10WD / DC18RE

- Daži no iepriekš norādītajiem lādētājiem un akumulatora kasetnēm var nebūt pieejami atkarībā no jūsu mītnes reģiona.

▲BRĪDINĀJUMS: Izmantojiet vienīgi iepriekš norādītās akumulatora kasetnes un lādētājus. Cita tipa akumulatora kasetņu un lādētāju izmantošana var radīt traumu un/vai aizdegšanās risku.

Paredzētā lietošana

Šis darbarīks ir paredzēts urbšanai un skrūvju ieskrūvēšanai kokā, metālā un plastmasā.

Trokšņa līmenis

Tipiskais A svērtais trokšņa līmenis noteikts saskaņā ar EN62841-2-1:

Modelis DF333D

Skaņas spiediena līmenis (L_{pA}): 70 dB (A) vai mazāk
Mainīgums (K): 3 dB (A)

Darbības laikā trokšņa līmenis var pārsniegt 80 dB (A).

Modelis DF033D

Skaņas spiediena līmenis (L_{pA}): 70 dB (A) vai mazāk
Mainīgums (K): 3 dB (A)

Darbības laikā trokšņa līmenis var pārsniegt 80 dB (A).

▲BRĪDINĀJUMS: Lietojiet ausu aizsargus.

Vibrācija

Vibrācijas kopējā vērtība (trīsasu vektora summa) noteikta atbilstoši EN62841-2-1:

Modelis DF333D

Darba režīms: urbšana metālā
Vibrācijas izmēte ($a_{h,D}$): 2,5 m/s² vai mazāk
Mainīgums (K): 1,5 m/s²

Modelis DF033D

Darba režīms: urbšana metālā
Vibrācijas izmēte ($a_{h,D}$): 2,5 m/s² vai mazāk
Mainīgums (K): 1,5 m/s²

PIEZĪME: Paziņotā vibrācijas emisijas vērtība noteikta atbilstoši standarta pārbaudes metodei un to var izmantot, lai salīdzinātu vienu darbarīku ar citu.

PIEZĪME: Paziņoto vibrācijas emisijas vērtību arī var izmantot iedarbības sākotnējā novērtējumā.

▲BRĪDINĀJUMS: Reāli lietojot elektrisko darbarīku, vibrācijas emisija var atšķirties no paziņotās emisijas vērtības atkarībā no darbarīka izmantošanas veida.

▲BRĪDINĀJUMS: Lai aizsargātu lietotāju, nosaukt drošības pasākumus, kas pamatoti ar iedarbību reālos darba apstākļos (ņemot vērā visus ekspluatācijas cikla posmus, piemēram, laiku, kamēr darbarīks ir izslēgts un kad darbojas tukšgaitā, kā arī palaides laiku).

EK atbilstības deklarācija

Tikai Eiropas valstīm

EK atbilstības deklarācija šajā lietošanas rokasgrāmatā ir iekļauta kā A pielikums.

DROŠĪBAS BRĪDINĀJUMI

Vispārīgi elektrisko darbarīku drošības brīdinājumi

▲BRĪDINĀJUMS: Izlasiet visus drošības brīdinājumus, instrukcijas, apskatiet ilustrācijas un tehniskos datus, kas iekļauti mehānizētā darbarīka komplektācijā. Ja netiek ievēroti visi tālāk minētie noteikumi, var tikt izraisīta elektrotrauma, notikt aizdegšanās un/vai rasties smagas traumas.

Glabājiet visus brīdinājumus un norādījumus, lai varētu tajos ieskatīties turpmāk.

Termins „elektrisks darbarīks” brīdinājumos attiecas uz tādu elektrisko darbarīku, ko darbina ar elektrību (ar vadu), vai tādu, ko darbina ar akumulatoru (bez vada).

Drošības brīdinājumi bezvada skrūvgrieža-urbjmašīnas lietošanai

1. Izmantojiet ar darbarīku piegādātos papildu rokturus. Zaudējot kontroli, var tikt gūtas traumas.
2. Strādājot turiet elektrisko darbarīku aiz izolētajām satveršanas virsmām, ja griešanas darbarīks varētu saskarties ar neredzamu elektroinstalāciju. Griezējinstrumentam saskaroties ar vadu, kurā ir spriegums, spriegums var tikt pārnestu uz elektriskā darbarīka metāla daļām, un, iespējams, radīt operatoram elektrotraumu.
3. Veicot darbu, turiet elektrisko darbarīku aiz izolētajām satveršanas virsmām, ja stiprinājums varētu saskarties ar paslēptu elektroinstalāciju. Stiprinājumiem saskaroties ar vadu, kurā ir spriegums, elektriskā darbarīka ārējās metāla virsmas var vadīt strāvu un radīt lietotājam elektrotraumu.
4. Vienmēr nodrošiniet stabilu pamatu kājām. Ja lietojat darbarīku, strādājot lielā augstumā virs zemes, pārliecinieties, ka apakšā neviena nav. Darbarīku turiet cieši.
5. Turiet rokas tālu no rotējošām daļām.
6. Neatstājiet darbarīku ieslēgtu. Darbiniet darbarīku vienīgi tad, ja turat to rokās.
7. Neskarīet urbja uzgali vai apstrādāto detaļu tūlīt pēc darba veikšanas; tie var būt ļoti karsti un var apdedzināt ādu.
8. Daži materiāli satur ķīmiskas vielas, kuras var būt toksiskas. Izvairieties no putekļu ieelpošanas un to nokļūšanas uz ādas. Ievērojiet materiāla piegādātāja drošības datus.
10. Ja urbja uzgali nav iespējams atbrīvot arī tad, ja tiek atvērta spīles, izvelciet to ārā ar knaiblēm. Ja šādā situācijā vilksiet ārā urbja uzgali ar roku, varat savainoties ar tā asajām malām.

SAGLABĀJIET ŠOS NORĀDĪJUMUS.

▲BRĪDINĀJUMS: NEPIELĀUJIET to, ka labu iemaņu vai izstrādājuma labas pārzināšanas (darbarīku atkārtoti ekspluatējot) rezultātā vairs stingri neievērojāt šīs izstrādājuma drošības noteikumus. NEPAREIZI LIETOJOT darbarīku vai neievērojot šajā instrukcijā rokasgrāmatā minētos drošības noteikumus, var tikt gūtas smagas traumas.

Svarīgi drošības norādījumi par akumulatora kasetni

1. Pirms akumulatora lietošanas izlasiet visus norādījumus un brīdinājumus, kuri attiecas uz (1) akumulatora lādētāju, (2) akumulatoru un (3) ierīci, kurā tiek izmantots akumulators.
2. Neizjauciet akumulatoru.
3. Ja akumulatora darbības laiks kļūva ievērojami īsāks, nekavējoties pārtrauciet to izmantot. Citādi, tas var izraisīt pārkarsējumu, uzliesmojumu vai pat sprādzienu.
4. Ja elektrolīts nonāk acīs, izskalojiet tās ar tīru ūdens un nekavējoties griezieties pie ārsta. Tas var izraisīt redzes zaudēšanu.
5. Neradiet īssavienojumu akumulatora kasetnē:
 - (1) Nepieskarīties spailēm ar elektrību vadošiem materiāliem.
 - (2) Neuzglabājiet akumulatoru kasetni kopā ar citiem metāla priekšmetiem, tādiem kā naglas, monētas u. c.
 - (3) Nepakļaujiet akumulatora kasetni ūdens vai lietus iedarbībai.

Akumulatora īssavienojums var radīt spēcīgu strāvas plūsmu, pārkarsānu, uzliesmojumu un pat sabojāt akumulatoru.

6. Neglabājiet darbarīku un akumulatora kasetni vietās, kur temperatūra var sasniegt vai pārsniegt 50 °C (122 °F).
7. Nededziniet akumulatora kasetni, pat ja tā ir stipri bojāta vai pilnībā nolietota. Akumulatora kasetne ugunī var eksplodēt.
8. Uzmanieties, lai neļautu akumulatoram nokrist un nepakļautu to sitienam.
9. Neizmantojiet bojātu akumulatoru.
10. Uz izmantotajiem litiņa jonu akumulatoriem attiecas likumdošanas prasības par bīstamiem izstrādājumiem.

Komerčiālā transportēšanā, ko veic, piemēram, trešās puses, transporta uzņēmumi, jāievēro uz iesaiņojuma un marķējuma norādītās īpašās prasības.

Lai izstrādājumu sagatavotu nosūtīšanai, jāpasaziņš ar bīstamo materiālu speciālistu. Ievērojiet arī citus attiecināmos valsts normatīvus.

Vaļējus kontaktus nosedziet ar līmlenti vai citādi pārklājiet, bet akumulatoru iesaiņojiet tā, lai sainītas nevarētu izkustēties.

11. Ievērojiet vietējos noteikumus par akumulatora likvidēšanu.
12. Izmantojiet šos akumulatorus tikai ar izstrādājumiem, kurus norādījis Makita. Ievietojot šos akumulatorus nesaderīgos izstrādājumos, var rasties ugunsgrēks, pārmērīgs karstums, tie var uzsprāgt vai no tiem var iztecoēt elektrolīts.

SAGLABĀJIET ŠOS NORĀDĪJUMUS.

▲UZMANĪBU: Lietojiet tikai oriģinālos Makita akumulatorus. Ja lietojat neoriģinālus Makita akumulatorus vai pārveidotus akumulatorus, tie var uzsprāgt un izraisīt aizdegšanos, traumas un materiālos zaudējumus. Tikas anulēta arī Makita darbarīka un lādētāja garantija.

Ieteikumi akumulatora kalpošanas laika pagarināšanai

1. Uzlādējiet akumulatora kasetni, pirms tā ir pilnībā izlādējusies. Vienmēr, kad ievērojat, ka darbarīka darba jauda zudusi, apturiet darbarīku un uzlādējiet akumulatora kasetni.
2. Nekad neuzlādējiet pilnībā uzlādētu akumulatora kasetni. Pārmērīga uzlāde saīsina akumulatora kalpošanas laiku.
3. Uzlādējiet akumulatora kasetni istabas temperatūrā 10 °C - 40 °C. Karstai akumulatora kasetnei pirms uzlādes ļaujiet atdzist.

FUNKCIJU APRAKSTS

⚠UZMANĪBU: Pirms darbarīka regulēšanas vai tā darbības pārbaudes vienmēr pārliecinieties, ka darbarīks ir izslēgts un akumulatora kasetne ir izņemta.

Akumulatora kasetnes uzstādīšana un izņemšana

⚠UZMANĪBU: Vienmēr pirms akumulatora kasetnes uzstādīšanas vai noņemšanas izslēdziet darbarīku.

⚠UZMANĪBU: Uzstādot vai izņemot akumulatora kasetni, darbarīku un akumulatora kasetni turiet cieši. Ja darbarīku un akumulatora kasetni netur cieši, tie var izkrist no rokām un radīt bojājumus darbarīkam un akumulatora kasetnei, kā arī izraisīt ievainojumus.

- **Att. 1:** 1. Sarkanās krāsas indikators 2. Poga 3. Akumulatora kasetne

Lai izņemtu akumulatora kasetni, izvelciet to no darbarīka, pārbindot kasetnes priekšpusē esošo pogu.

Lai uzstādītu akumulatora kasetni, salāgojiet mēlīti uz akumulatora kasetnes ar rievu ietvarā un iebīdīet to vietā. Ievietojiet to līdz galam, līdz tā ar klikšķi nofiksējas. Ja pogas augšējā daļā redzams sarkanās krāsas indikators, tas nozīmē, ka tā nav pilnīgi fiksēta.

⚠UZMANĪBU: Vienmēr ievietojiet akumulatora kasetni tā, lai sarkanais indikators nebūtu redzams. Pretējā gadījumā tā var nejauši izkrist no darbarīka un izraisīt jums vai apkārtējiem traumas.

⚠UZMANĪBU: Neievietojiet akumulatora kasetni ar spēku. Ja kasetne neslīd ietvarā viegli, tā nav pareizi ielikta.

Akumulatora aizsardzības sistēma

Darbarīks ir aprīkots ar akumulatora aizsardzības sistēmu. Šī sistēma automātiski izslēdz jaudas padevi motoram, lai pagarinātu akumulatora kalpošanas laiku. Darbarīks automātiski pārstās darboties ekspluatācijas laikā, ja darbarīku un/vai akumulatoru pakļaus kādam no tālāk minētajiem apstākļiem:

Pārslodze:

Darbarīku ekspluatācijas laikā lieto tādā veidā, ka tas saista pārmērīgu strāvu.

Šādā gadījumā izslēdziet darbarīku un pārtrauciet darbarīka pārslodzi izraisījušo darbu. Tad ieslēdziet darbarīku, lai atsāktu darbu.

Ja darbarīks neieslēdzas, akumulators ir pārkarsis.

Šādā gadījumā ļaujiet akumulatoram atdzist pirms atkārtotas darbarīka ieslēgšanas.

Zema akumulatora jauda:









Akumulatora uzlādes līmenis ir pārāk zems, un darbarīks nedarbosies. Ja ieslēgsit darbarīku, motors vēlreiz sāks darboties, taču drīz apstāsies. Šādā gadījumā noņemiet akumulatoru un uzlādējiet.

Atlikušās akumulatora jaudas indikators

Tikai akumulatora kasetnēm ar indikatoru

- **Att. 2:** 1. Indikatora lampas 2. Pārbaudes poga

Nospiediet akumulatora kasetnes pārbaudes pogu, lai pārbaudītu akumulatora atlikušo uzlādes līmeni. Indikatoru iedegsies uz dažām sekundēm.

Indikatora lampas		Atlikusī jauda
Iededzies	Izslēgts	
		No 75% līdz 100%
		No 50% līdz 75%
		No 25% līdz 50%
		No 0% līdz 25%

PIEZĪME: Reālā jauda var nedaudz atšķirties no norādītās atkarībā no lietošanas apstākļiem un apkārtējās temperatūras.

Slēdža darbība

- **Att. 3:** 1. Slēdža mēlīte

⚠UZMANĪBU: Pirms akumulatora kasetnes uzstādīšanas darbarīkā vienmēr pārbaudiet, vai slēdža mēlīte darbojas pareizi un pēc atlaišanas atgriežas stāvoklī „OFF” (Izslēgts).

Lai ieslēgtu darbarīku, pavelciet slēdža mēlīti. Darbarīka ātrums palielinās, palielinoties spiedienam uz slēdža mēlīti. Lai darbarīku apturētu, atlaidiet slēdža mēlīti.

Priekšējās lampas ieslēgšana

- **Att. 4:** 1. Lampa

⚠UZMANĪBU: Neskatieties gaismā, nejaujiet tās avotam iespīdēt acīs.

Pavelciet slēdža mēlīti, lai ieslēgtu lampu. Kamēr slēdža mēlīte ir nospiesta, lampa ir ieslēgta. Apmēram 10 sekundes pēc slēdža mēlītes atlaišanas lampa izslēdzas.

PIEZĪME: Ar sausu lupatīņu notīriet netīrumus no lampas lēcas. Izvairieties saskrāpēt lampas lēcu, jo tādējādi tiek samazināts apgaismojums.

Griešanās virziena pārslēdzēja darbība

► **Att.5:** 1. Griešanās virziena pārslēdzēja svira

UZMANĪBU: Pirms sākat strādāt, vienmēr pārbaudiet griešanās virzienu.

UZMANĪBU: Izmantojiet griešanās virziena pārslēdzēju tikai pēc darbarīka pilnīgas apstāšanās. Griešanās virziena maiņa pirms darbarīka pilnīgas apstāšanās var to sabojāt.

UZMANĪBU: Kamēr darbarīks netiek izmantots, vienmēr uzstādiat griešanās virziena pārslēdzēja sviru neitrālajā stāvoklī.

Šis darbarīks ir aprīkots ar pārslēdzēju, kas ļauj mainīt griešanās virzienu. Nospiediet griešanās virziena pārslēdzēja sviru no „A” puses rotācijai pulkstenrādītāju kustības virzienā vai no „B” puses rotācijai pretēji pulkstenrādītāju kustības virzienam.

Ja griešanās virziena pārslēdzēja svira atrodas neitrālajā stāvoklī, slēdža mēlīti nevar nospiegt.

Ātruma regulēšana

► **Att.6:** 1. Ātruma regulēšanas svira

UZMANĪBU: Ātruma regulēšanas sviru vienmēr stingri iestatiet pareizajā stāvoklī. Ja jūs darbināt darbarīku ar ātruma regulēšanas sviru, izvietotu starp stāvokļiem „1” un „2”, tas var sabojāt darbarīku.

UZMANĪBU: Nelietojiet ātruma regulēšanas sviru, kamēr darbarīks darbojas. Tas var sabojāt darbarīku.

Ātruma regulēšanas sviras stāvoklis	Ātrums	Griezes moments	Lietojuma iespējas
1	Mazs	Liels	Lielas noslodzes režīms
2	Liels	Mazs	Nelielas noslodzes režīms

Lai mainītu ātrumu, vispirms izslēdziet darbarīku. Izvēlieties „2” lielam ātrumam vai „1” mazam ātrumam un lielam griezes momentam. Pirms darba uzsākšanas pārliedzieties, vai ātruma regulēšanas svira ir uzstādīta pareizā stāvoklī. Ja ekspluatācijas laikā stāvoklī „2” ātrums ievērojami samazinās, pārvietojiet sviru stāvoklī „1” un atsāciet ekspluatāciju.

Stiprinājuma griezes momenta regulēšana

► **Att.7:** 1. Regulēšanas gredzens 2. Iedaļas 3. Bultiņa

Stiprinājuma griezes momentam var iestatīt kādu no 21 līmeņiem, pagriežot regulēšanas gredzenu. Savietojiet iedaļas ar bultiņu uz darbarīka korpusa. Minimālais stiprinājuma griezes moments ir stāvoklī 1, un maksimālais stiprinājuma griezes moments ir stāvoklī 21.

Iestatot ietveri stāvoklī no 1 līdz 20, tā ieslēdīs dažādos griezes momenta līmeņos. Ietvere nedarbojas pie atzīmēm 21.

Pirms darba sākšanas ieskrūvējiet apstrādājamajā detaļā vai identiskā materiālā pārbaudes skrūvi, lai noteiktu, kāds griezes momenta līmenis ir piemērots attiecīgajam gadījumam.

Tabulā sniegti norādījumi aptuvenai attiecībai starp skrūves izmēriem un iedaļām.

Iedaļas	1	2	3	4	5	6	7	8	9	10	11	12	13	14	15	16	17	18	19	20
Nostiprinātājskrūve	M4								M5								M6			
Koka skrūve	–								φ3,5 × 22								φ4,1 × 38			
Mīksts koks (piemēram, priede)	–								φ3,5 × 22								–			
Ciets koks (piemēram, lauans)	–								–								φ4,1 × 38			

MONTĀŽA

UZMANĪBU: Pirms darbarīka regulēšanas vai apkopes vienmēr pārliedzieties, ka darbarīks ir izslēgts un akumulatora kasetne ir izņemta.

Skrūvgrieža uzgaļa/urbja uzgaļa uzstādīšana vai noņemšana

Modelim DF333D (papildpiederums)

► **Att.8:** 1. Uzmava 2. Aizvērt 3. Atvērt

Pagrieziet uznavu pretēji pulkstenrādītāju kustības virzienam, lai atvērtu spīļpatronas spīles. Ievietojiet skrūvgrieža uzgali/urbja uzgali spīļpatronā līdz galam. Pagrieziet uznavu pulkstenrādītāju kustības virzienā, lai pievilktu spīļpatronu. Lai izņemtu skrūvgrieža uzgali/urbja uzgali, grieziet uznavu pretēji pulkstenrādītāju kustības virzienam.

Skrūvgrieža uzgaļa/galatslēgas uzgaļa uzstādīšana vai noņemšana

Modelim DF033D (papildpiederums)

► Att.9

Izmantojiet tikai skrūvgrieža uzgali/galatslēgas uzgali ar attēlā redzamo ievietojamo daļu. Neizmantojiet citu skrūvgrieža uzgali/uzgriežņa uzgali.

PIEZĪME: Iespējams izmantot gan seklāka (A=12 mm, B=9 mm), gan dziļāka (A=17 mm, B=14 mm) veida skrūvgrieža uzgaļus.

Lai uzstādītu skrūvgrieža uzgali, velciet uznavu bultiņas virzienā un ievietojiet skrūvgrieža uzgali uznavā līdz galam.

Tad atlaidiet uznavu, lai nostiprinātu skrūvgrieža uzgali.

► **Att.10:** 1. Skrūvgrieža uzgalis 2. Uznavā

Lai noņemtu skrūvgrieža uzgali, velciet uznavu bultiņas virzienā un izvelciet skrūvgrieža uzgali.

PIEZĪME: Ja skrūvgrieža uzgalis nav pietiekami dziļi ievietots uznavā, tā neatgriezīsies savā sākotnējā stāvoklī, un skrūvgrieža uzgalis netiks nostiprināts. Šajā gadījumā mēģiniet vēlreiz ievietot uzgali atbilstoši iepriekš minētajām instrukcijām.

PIEZĪME: Pēc skrūvgrieža uzgaļa ievietošanas pārliedzinieties, ka tas ir cieši nostiprināts. Ja tas iznāk ārā, neizmantojiet to.

Āķa uzstādīšana

UZMANĪBU: Uzstādot āķi, vienmēr cieši piestipriniet to ar skrūvi. Citādi āķis var atdalīties no darbarīka, izraisot traumu.

► **Att.11:** 1. Rieva 2. Āķis 3. Skrūve

Āķis ir noderīgs, ja darbarīks uz kādu laiku ir jāpakar. To var uzstādīt jebkurā darbarīka pusē. Lai uzstādītu āķi, ievietojiet to rievē jebkurā darbarīka korpusa pusē, un tad ar skrūvi pieskrūvējiet. Lai to izņemtu, atlaidiet skrūvi un izņemiet.

Skrūvgrieža uzgaļa turētāja uzstādīšana

Papildu piederumi

► **Att.12:** 1. Skrūvgrieža uzgaļa turētājs
2. Skrūvgrieža uzgalis

Uzlieciet skrūvgrieža uzgaļa turētāju uz darbarīka pamatnes izciļņa labajā vai kreisajā pusē un pieskrūvējiet to ar skrūvi.

Ja neizmantojat skrūvgrieža uzgali, ievietojiet to uzgaļa turētājā. Tur var glabāt 45 mm garus skrūvgrieža uzgaļus.

EKSPLUATĀCIJA

UZMANĪBU: Vienmēr ievietojiet akumulatoru kasetni līdz galam, līdz tā nofiksējas. Ja pogas augšējā daļā redzams sarkanas krāsas indikators, tas nozīmē, ka tā nav pilnīgi fiksēta. Iebīdīet to tā, lai sarkana indikators nebūtu redzams. Pretējā gadījumā akumulators var nejauši izkrist no darbarīka un radīt jums vai apkārtējiem traumas.

UZMANĪBU: Ja ātrums ievērojami pazeminās, samaziniet slodzi vai apturiet darbarīku, lai nepieļautu darbarīka bojājumus.

Lai regulētu griešanas darbību, turiet darbarīku cieši, ar vienu roku satverot rokturi, bet ar otru turot akumulatora kasetnes apakšpusi.

► **Att.13**

Skrūvgrieža darba režīms


UZMANĪBU: Ar regulēšanas gredzenu palīdzību uzstādiat veicamam darbam atbilstošu griezes momenta līmeni.

UZMANĪBU: Pārliedzinieties, ka skrūvgrieža uzgalis ir taisni ievietots skrūves galviņā, pretējā gadījumā skrūve un/vai skrūvgrieža uzgalis var tikt bojāts.

Novietojiet skrūvgrieža uzgaļa galu skrūves galviņā un uzspiediet uz darbarīka. Ieslēdziet darbarīku nelielā ātrumā un tad pakāpeniski ātrumu palieliniet. Atlaidiet slēdža mēlīti tikko ietverie iegriežas iekšā.

PIEZĪME: Skrūvējot koka skrūvi, sākumā izurbiet palīgcaurumu, kura izmērs ir 2/3 no skrūves diametra. Tādējādi skrūvēšana būs vieglāka un apstrādājamā detaļa nesadalīsies.

Urbšana

Vispirms pielāgojiet regulēšanas gredzenu tā, lai bultiņa rādītu uz atzīmi . Tad rīkojieties, kā norādīts tālāk.

Urbšana kokā

Urbjot kokā, vislabākie rezultāti iegūstami ar kokurbja uzgajiem, kuri aprīkoti ar vadskrūvi. Vadskrūve atvieglo urbšanu, virzot urbja uzgali apstrādes detaļā.

Urbšana metālā

Lai novērstu urbja uzgaļa slīdēšanu, sākot urbšanu, vispirms ar punkstīti un āmuru izveidojiet iedobi vietā, kur jāurbj. Novietojiet urbja uzgali iedobē un sāciet urbt. Urbjot metālā, izmantojiet griešanas smērvielu. Izņēmums ir dzelzs un misiņš, kuri jāurbj bez smērvielas.

⚠UZMANĪBU: Pārmērīgs spiediens uz darbarīku urbšanas ātrumu nepaliek nāvē. Patiesībā pārmērīgs spiediens tikai sabojās urbja uzgali, samazinās darbarīka jaudu un saīsina tā kalpošanas laiku.

⚠UZMANĪBU: Stingri turiet darbarīku un īpaši uzmanieties brīdī, kad urbja uzgali sāks virzīties cauri apstrādājamaļai daļai. Cauruma izveides brīdī uz darbarīku un uzgali iedarbojas ļoti liels spēks.

⚠UZMANĪBU: Iestrēgušu urbja uzgali var atbrīvot, vienkārši uzstādot griešanās virziena pārslēdzēju pretējā virzienā, lai urbis tiktu virzīts atpakaļ virzienā uz āru. Taču uzmanieties, jo, ja ierīci neturēsiet stingri, tā var strauji virzīties atpakaļ.

⚠UZMANĪBU: Nelielas apstrādājamas detaļas vienmēr ievietojiet skrūvspīlēš vai citā stiprinājuma ierīcē.


⚠UZMANĪBU: Ja darbarīks tiek darbināts nepārtraukti, līdz akumulatora kasetne ir izlādējusies, pirms turpināt darbu ar jaunu akumulatoru, izslēdziet darbarīku uz 15 minūtēm.

Izmantojot darbarīku kā skrūvgriezi

► Att.14

Izslēdziet darbarīku.

Pārvietojiet griešanās virziena pārslēdzēja sviru neitrālajā stāvoklī.

Tad pielāgojiet regulēšanas gredzenu tā, lai rādītājs rādītu  atzīmi.

Izslēdziet darbarīku.

PIEZĪME: Šī izmantošana ir ērta, lai pārbaudītu skrūvju skrūvēšanu.

PIEZĪME: Neizmantojiet darbarīku darbiem, kuros nepieciešams pārmērīgs spēks, piemēram, skrūvju pievilkšanai vai sarūsējušu skrūvju izņemšanai.

Darbarīka futrāja lietošana

Papildu piederumi

⚠UZMANĪBU: Izmantojot futrāli, izņemiet no darbarīka skrūvgrieža uzgali/urbja uzgali.

⚠UZMANĪBU: Izslēdziet darbarīku un gaidiet, līdz tas pilnībā apstājas, pirms to ievietot futrālī. Pārliecinieties, ka darbarīka futrālis ir cieši aiztaisīts ar pogu un darbarīks atrodas fiksētā stāvoklī.

1. Ievietiet jostas siksnu vai līdzīgu siksnu darbarīka futrāja turētājā.

► **Att.15:** 1. Futrāja turētājs 2. Jostas siksnas

2. Ievietojiet darbarīku futrālī un aiztaisiet futrāja pogas.

► **Att.16**

► **Att.17**

Futrāja priekšpusē var glabāt divus skrūvgrieža uzgaļus.

APKOPE

⚠UZMANĪBU: Pirms darbarīka pārbaudes vai apkopes vienmēr pārliecinieties, ka darbarīks ir izslēgts un akumulatora kasetne ir izņemta.

IEVĒRĪBAI: Nekad neizmantojiet gāzoliņu, benzīnu, atšķaidītāju, spirtu vai līdzīgus šķidrumus. Tas var radīt izbalēšanu, deformāciju vai plaisas.

Lai saglabātu izstrādājuma DROŠU un UZTICAMU darbību, remontdarbus, apkopi un regulēšanu uzticiet veikt tikai Makita pilnvarotam vai rūpnīcas apkopes centram, un vienmēr izmantojiet tikai Makita rezerves daļas.

PAPILDU PIEDERUMI

⚠UZMANĪBU: Šādi piederumi un papildierīces tiek ieteiktas lietošanai ar šajā rokasgrāmatā aprakstīto Makita darbarīku. Izmantojot citus piederumus vai papildierīces, var tikt radīta trauma gūšanas bīstamība. Piederumu vai papildierīci izmantojiet tikai paredzētajam mērķim.

Ja jums vajadzīga palīdzība vai precīzāka informācija par šiem piederumiem, vērsieties savā tuvākajā Makita apkopes centrā.

- Urbja uzgali
- Skrūvgrieža uzgali
- Galatslēgas uzgali
- Skrūvgrieža uzgaļa turētājs
- Darbarīka futrālis
- Plastmasas pārnēsāšanas soma
- Āķis
- Makita oriģinālais akumulators un lādētājs

PIEZĪME: Daži sarakstā norādītie izstrādājumi var būt iekļauti instrumenta komplektācijā kā standarta piederumi. Tie dažādās valstīs var būt atšķirīgi.

SPECIFIKACIJOS

Modelis:		DF333D	DF033D
Gręžimo pajėgumas	Plienas	10 mm	
	Medis	21 mm	
Fiksavimo pajėgumas	Medvaržtis	5,1 mm x 63 mm	
	Mašininis sraigtas	M6	
Be apkrovos	Aukštas (2)	0 – 1 700 min ⁻¹	
	Žemas (1)	0 – 450 min ⁻¹	
Bendrasis ilgis	179 mm	149 mm	
Vardinė įtampa	Nuolatinė srovė 10,8 V – 12 V (daugiausiai)		
Grynasis svoris	1,1 – 1,2 kg	0,93 – 1,1 kg	

- Atliekame tęstinius tyrimus ir nuolatos tobuliname savo gaminius, todėl čia pateikiamos specifikacijos gali būti keičiamos be įspėjimo.
- Skirtingose šalyse specifikacijos gali skirtis.
- Svoris gali priklausyti nuo priedo (-ų), įskaitant akumulatoriaus kasetę. Lengviausias ir sunkiausias deriniai pagal EPTA 2014 m. sausio mėn. procedūrą yra parodyti lentelėje.

Tinkama akumulatoriaus kasetė ir (arba) įkroviklis

Akumulatoriaus kasetė	BL1015 / BL1016 / BL1020B / BL1021B / BL1040B / BL1041B
Įkroviklis	DC10SA / DC10SB / DC10WC / DC10WD / DC18RE

- Atsižvelgiant į gyvenamosios vietos regioną, kai kurios pirmiau nurodytos akumulatoriaus kasetės ir įkrovikliai gali būti neprieinami.

⚠️ JSPĖJIMAS: Naudokite tik akumulatoriaus kasetes ir įkroviklius, kurie nurodyti anksčiau. Naudojant bet kurias kitas akumulatoriaus kasetes ir įkroviklius, gali kilti sužeidimo ir gaisro pavojus.

Numatytoji naudojimo paskirtis

Šis įrenginys yra skirtas medienai, metalui ir plastmasei gręžti.

Triukšmas

Įprastas triukšmo A lygis, nustatytas pagal EN62841-2-1:

Modelis DF333D

Garso slėgio lygis (L_{pA}): 70 dB (A) arba mažiau
Paklaida (K): 3 dB (A)

Dirbant triukšmo lygis gali viršyti 80 dB (A).

Modelis DF033D

Garso slėgio lygis (L_{pA}): 70 dB (A) arba mažiau
Paklaida (K): 3 dB (A)

Dirbant triukšmo lygis gali viršyti 80 dB (A).

⚠️ JSPĖJIMAS: Dėvėkite ausų apsaugą.

Vibracija

Vibracijos bendroji vertė (triacio vektoriaus suma) nustatyta pagal EN62841-2-1 standartą:

Modelis DF333D

Darbo režimas: metalo gręžimas
Vibracijos emisija (a_{hD}): 2,5 m/s² arba mažiau
Paklaida (K): 1,5 m/s²

Modelis DF033D

Darbo režimas: metalo gręžimas
Vibracijos emisija (a_{hD}): 2,5 m/s² arba mažiau
Paklaida (K): 1,5 m/s²

PASTABA: Paskelbtasis vibracijos emisijos dydis nustatytas pagal standartinį testavimo metodą ir jį galima naudoti vienam įrankiui palyginti su kitu.

PASTABA: Paskelbtasis vibracijos emisijos dydis taip pat gali būti naudojamas preliminariai įvertinti vibracijos poveikį.

⚠️ JSPĖJIMAS: Faktiškai naudojant elektrinį įrankį, keliamos vibracijos dydis gali skirtis nuo paskelbtojo dydžio, priklausomai nuo būdų, kuriais yra naudojamas šis įrankis.

⚠️ JSPĖJIMAS: Siekdami apsaugoti operatorių, būtina įvertinkite saugos priemones, remdamiesi vibracijos poveikio įvertinimu esant faktinėms naudojimo sąlygoms (atsižvelgdami į visas darbo ciklo dalis, pavyzdžiui, ne tik kiek laiko įrankis veikia, bet ir kiek kartų jis yra išjungiamas bei kai jis veikia be apkrovų).

EB atitikties deklaracija

Tik Europos šalims

EB atitikties deklaracija yra pridedama kaip šio instrukcijų vadovo A priedas.

SAUGOS ĮSPĖJIMAI

Bendrieji įspėjimai dirbant elektriniais įrankiais

▲ ĮSPĖJIMAS: Perskaitykite visus saugos įspėjimus, instrukcijas, iliustracijas ir techninius duomenis, pateiktus kartu su šiuo elektriniu įrankiu. Nesilaikant visų toliau išvardytų instrukcijų galima patirti elektros smūgi, gali kilti gaisras ir (arba) galima sunkiai susižaloti.

Išsaugokite visus įspėjimus ir instrukcijas, kad galėtumėte jas peržiūrėti ateityje.

Terminas „elektrinis įrankis“ pateiktuose įspėjimuose reiškia į maitinimo tinklą jungiamą (laidinį) elektrinį įrankį arba akumuliatoriaus maitinamą (belaidį) elektrinį įrankį.

Saugos įspėjimai dėl akumuliatorinio grąžto naudojimo

1. Naudokite su įrankiu pridėtą išorinę rankeną (rankenas). Nesuvaldžius įrankio, galima susižeisti.
2. Atlikdami darbus, kurių metu pjovimo dalys gali paliesti paslėptus laidus, laikykite elektrinį įrankį tik už izoliuotų, laikyti skirtų paviršių. Pjovimo antgaliai prisilietus prie laido, kuriuo teka elektros srovė, neizoliuotos metalinės elektrinio įrankio dalys gali sukelti elektros smūgį ir nutrenkti operatorių.
3. Atlikdami darbus, kurių metu tvirtinimo elementas galėtų užkliudyti nematomą laidą arba savo paties laidą, laikykite elektrinius įrankius už izoliuotų paviršių. Užkliudžius laidą, kuriuo teka srovė, įtampa gali būti perduota neizoliuotoms metalinėms elektrinio įrankio dalims ir operatorius gali gauti elektros smūgį.
4. Būtinai įsitikinkite, kad tvirtai stovite. Jei naudojate įrankį aukštai, įsitikinkite, ar apačioje nėra žmonių.
5. Tvirtai laikykite įrenginį.
6. Laikykite rankas toliau nuo sukamųjų dalių.
7. Nepalikite veikiančio įrankio. Naudokite įrankį tik laikydami rankomis.
8. Nelieskite grąžto arba ruošinio iškart po naudojimo; jie gali būti itin karšti ir gali nudeginti odą.
9. Kai kuriose medžiagose esama cheminių medžiagų, kurios gali būti nuodingos. Saugokitės, kad neįkvėptumėte dulkių ir nesiliestumėte oda. Laikykites medžiagų tiekėjo saugos duomenų.
10. Jei grąžtas neatsilaisvina net atidarius žiotis, ištraukite jį replėmis. Šiuo atveju traukdami grąžtą rankomis galite susižeisti į aštrų kraštą.

SAUGOKITE ŠIAS INSTRUKCIJAS.

▲ ĮSPĖJIMAS: NELEISKITE, kad patogumas ir gaminio pažinimas (įgyjamas pakartotinai naudojant susilpnintų griežtą saugos taisyklių, taikytinų šiam gaminiui, laikymąsi. Dėl NETINKAMO NAUDOJIMO arba saugos taisyklių, kurios pateiktos šioje instrukcijoje, nesilaikymo galima rimtai susižeisti.

Svarbios saugos instrukcijos, taikomos akumuliatoriaus kasetei

1. Prieš naudodami akumuliatoriaus kasetę, perskaitykite visas instrukcijas ir perspėjimus ant (1) akumuliatorių įkroviklio, (2) akumuliatorių ir (3) akumuliatorių naudojančio gaminio.
2. Neardykite akumuliatoriaus kasetės.
3. Jei įrankio darbo laikas žymiai sutrumpėjo, nedelsdami nutraukite darbą su įrankiu. Tai gali kelti perkaitimo, nudegimų ar net sprogdimo pavojų.
4. Jei elektrolitas pateko į akis, plaukite jas tyru vandeniu ir nedelsdami kreipkitės į gydytoją. Gali kilti regėjimo praradimo pavojus.
5. Neužtrumpinkite akumuliatoriaus kasetės:
 - (1) Nelieskite kontaktų degiomis medžiagomis.
 - (2) Venkite laikyti akumuliatoriaus kasetę kartu su kitais metaliniais daiktais, pavyzdžiui, vinimis, monetomis ir pan.
 - (3) Saugokite akumuliatoriaus kasetę nuo vandens ir lietaus.

Trumpasis jungimas akumuliatoriuje gali sukelti stiprią srovę, perkaitimą, galimus nudegimus ar net akumuliatoriaus gedimą.

6. Nelaikykite įrankio ir akumuliatoriaus kasetės vietose, kur temperatūra gali pasiekti ar viršyti 50 °C.
7. Nedeginkite akumuliatoriaus kasetės, net jei yra stipriai pažeista ar visiškai susidėvėjusi. Ugnyje akumuliatoriaus kasetė gali sprogti.
8. Saugokite akumuliatorių nuo kritimo ir smūgių.
9. Nenaudokite pažeisto akumuliatoriaus.
10. Įdėtoms ličio jonų akumuliatoriams taikomi Pavojaingų prekių teisės akto reikalavimai. Komercinis transportas, pvz., trečiųjų šalių, prekių vežimo atstovų, turi laikytis specialaus reikalavimo ant pakuotės ir ženklavimo. Norėdami paruošti siųstiną prekę, pasitarkite su pavojaingų medžiagų specialistu. Be to, laikykites galimai išsamesnių nacionalinių reglamentų. Užklijuokite juosta arba padenkite atvirus kontaktus ir supakuokite akumuliatorių taip, kad jį pakuotėje nejudėtų.
11. Vadovaukitės vietos įstatymais dėl akumuliatorių išmetimo.
12. Baterijas naudokite tik su „Makita“ nurodytais gaminiais. Baterijas įdėjus į netinkamus gaminius gali kilti gaisras, gaminys pernelyg kaisti, kilti sprogdimas arba pratekėti elektrolitas.

SAUGOKITE ŠIAS INSTRUKCIJAS.

▲ PERSPĖJIMAS: Naudokite tik originalų „Makita“ akumuliatorių. Neoriginalaus „Makita“ arba pakeisto akumuliatoriaus naudojimas gali nulemti gaisrą, asmens sužalojimą ir pažeidimą. Tai taip pat panaikina „Makita“ suteikiamą „Makita“ įrankio ir įkroviklio garantiją.

Patarimai, ką daryti, kad akumulatorius veiktų kuo ilgiau

1. Pakraukite akumulatoriaus kasetę prieš jai visiškai išsikraunant. Visuomet nustokite naudoti įrankį ir pakraukite akumulatoriaus kasetę, kai pastebite, kad įrankio galia sumažėjo.
2. Niekada nekraukite iki galo įkrautos akumulatoriaus kasetės. Perkraunant trumpėja akumulatoriaus eksploatacijos laikas.
3. Akumulatoriaus kasetę kraukite esant kambario temperatūrai 10 - 40 °C. Prieš pradėdami krauti, leiskite įkaitusiai akumulatoriaus kasetei atvėsti.

VEIKIMO APRAŠYMAS

▲ PERSPĖJIMAS: Prieš pradėdami reguliuoti arba tikrinti įrankio veikimą, visuomet būtinai išjunkite įrankį ir išimkite akumulatoriaus kasetę.

Akumulatoriaus kasetės uždėjimas ir nuėmimas

▲ PERSPĖJIMAS: Prieš įdėdami arba išimdami akumulatoriaus kasetę, visada išjunkite įrankį.

▲ PERSPĖJIMAS: Įdėdami arba išimdami akumulatoriaus kasetę, tvirtai laikykite įrankį ir akumulatoriaus kasetę. Jeigu įrankį ir akumulatoriaus kasetę laikysite netvirtai, jie gali išslįsti iš jūsų rankų, todėl įrankis ir akumulatoriaus kasetė gali būti sugadinti, o naudotojas sužalotas.

- **Pav.1:** 1. Raudonas indikatorius 2. Mygtukas 3. Akumulatoriaus kasetė

Jei norite išimti akumulatoriaus kasetę, ištraukite ją iš įrankio, stumdami mygtuką, esantį kasetės priekyje.

Jei norite įdėti akumulatoriaus kasetę, sulygiuokite liežuvelį ant akumulatoriaus kasetės su grioveliu korpuse ir įstumkite į jai skirtą vietą. Įdėkite iki galo, kol spragtelėdama užsifiksuos. Jeigu matote raudoną indikatorius viršutinėje mygtuko pusėje, ji nėra visiškai užfiksuota.

▲ PERSPĖJIMAS: Akumulatoriaus kasetę visada įkiškite iki galo, kol nebematysite raudono indikatoriaus. Priešingu atveju ji gali atsitiktinai iškristi iš įrankio, sužeisti jus arba aplinkinius.

▲ PERSPĖJIMAS: Nekiškite akumulatoriaus kasetės jėga. Jeigu kasetė sunkiai lenda, ją kiškite netinkamai.

Akumulatoriaus apsaugos sistema

Įrankyje įrengta akumulatoriaus apsaugos sistema. Ši sistema automatiškai atjungia variklio maitinimą, kad pailgėtų akumulatoriaus naudojimo laikas. Įrankis automatiškai išsijungs darbo metu, esant vienai iš šių įrankio ir (arba) akumulatorius darbo sąlygai:

Perkrautas:

Įrankis naudojamas taip, kad jame neįprastai padidėja elektros srovė. Tokiu atveju atleiskite įrankio gaiduką ir nutraukite darbą, dėl kurio kilo įrankio perkrova. Po to vėl įjunkite įrankį. Jeigu įrankis neįsijungia, reiškia perkaito akumulatorius. Tokiu atveju palaukite, kol akumulatorius atvės, paskui vėl galite įjungti įrankį.

Žema akumulatoriaus įtampa:









Likęs akumulatoriaus įkrovos lygis per žemas, todėl įrankis neveiks. Įjungus įrankį, variklis pradeda veikti, bet netrukus vėl išsijungia. Tokiu atveju išimkite akumulatorių ir jį įkraukite.

Likusios akumulatoriaus galios rodymas

Tik akumulatoriaus kasetėms su indikatoriumi

► **Pav.2:** 1. Indikatorius lemputės 2. Tikrinimo mygtukas

Paspauskite akumulatoriaus kasetės tikrinimo mygtuką, kad būtų rodoma likusi akumulatoriaus energija. Maždaug trims sekundėms užsidegs indikatorius lemputės.

Indikatorius lemputės		Likusi galia
Šviečia	Nešviečia	
		75% - 100%
		50% - 75%
		25% - 50%
		0% - 25%

PASTABA: Rodmuo gali šiek tiek skirtis nuo faktinės energijos lygio – tai priklausys nuo naudojimo sąlygų ir aplinkos temperatūros.

Jungiklio veikimas

► **Pav.3:** 1. Gaidukas

▲ PERSPĖJIMAS: Prieš montuodami akumulatoriaus kasetę įrankyje, visuomet patikrinkite, ar gaidukas tinkamai veikia ir atleistas grįžta į išjungimo padėtį „OFF“.

Jei norite paleisti įrankį, tiesiog patraukite jungiklį. Stipriau spaudžiant gaiduką, įrankio veikimo greitis didėja. Norėdami išjungti, atleiskite svirtinį gaiduką.

Priekinės lemputės uždegimas

► **Pav.4:** 1. Lemputė

▲ PERSPĖJIMAS: Nežiūrėkite tiesiai į šviesą arba šviesos šaltinį.

Paspauskite gaiduką, kad užsidegtų lemputė. Lemputė švies toli, kol spausite gaiduką. Atleidus jungiklio gaiduką, lemputė užgesa maždaug po 10 sekundžių.

PASTABA: Purvą nuo lempos objektyvo nuvalykite sausu skudurėliu. Būkite atsargūs, kad nesubraižytumėte lempos objektyvo, nes pablogės apšvietimas.

Atbulinės eigos jungimas

► **Pav.5:** 1. Atbulinės eigos svirtelė

⚠ PERSPĖJIMAS: Prieš naudodami visuomet patikrinkite sukimosi kryptį.

⚠ PERSPĖJIMAS: Atbulinės eigos jungiklį naudokite tik įrankiui visiškai sustojus. Jei keisite sukimosi kryptį prieš įrankiui sustojant, galite sugadinti įrankį.

⚠ PERSPĖJIMAS: Kai nenaudojate įrankio, visuomet nustatykite atbulinės eigos jungiklio svirtelę į neutralią padėtį.

Šis įrankis turi atbulinės eigos jungiklį sukimosi kryptiai keisti. Nuspauskite atbulinės eigos jungiklio svirtelę iš A pusės, kad suktyši pagal laikrodžio rodyklę, arba iš B pusės, kad suktyši prieš laikrodžio rodyklę. Kai atbulinės eigos jungiklio svirtelė yra neutralioje padėtyje, jungiklio spausti negalima.

Greičio keitimas

► **Pav.6:** 1. Greičio keitimo svirtelė

⚠ PERSPĖJIMAS: Visuomet nustatykite greičio keitimo svirtelę iki galo į tinkamą padėtį. Jei įrankį valdote greičio keitimo svirtelė, nustatyta per vidurį tarp padėčių „1“ ir „2“, galite sugadinti įrankį.

⚠ PERSPĖJIMAS: Nenaudokite greičio keitimo svirtelės tol, kol įrankis veikia. Įrankis galis sugesti.


Greičio keitimo svirtelės padėtis	Greitis	Sukimo momentas	Atliekamas darbas
1	Mažas	Didelis	Didelės apkrovos darbas
2	Didelis	Mažas	Mažos apkrovos darbas

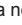
Jeigu norite pakeisti greitį, pirmiausiai įrankį išjunkite. Jeigu greitį norite padidinti, pasirinkite „2“ nuostatą, arba pasirinkite „1“ nuostatą, kad greitis būtų mažas, o veržimo sukimo momentas – didelis. Prieš pradėdami darbą, patikrinkite, ar greičio keitimo svirtelė nustatyta į tinkamą padėtį.

Jeigu naudojant nuostatą „2“ įrankis gręžia pernelyg greitai, pastumkite svirtį ties nuostata „1“ ir dirbkite toliau.

Veržimo sukimo momento reguliavimas

► **Pav.7:** 1. Reguliavimo žiedas 2. Padalys 3. Rodyklė

Priveržimo momentą galima reguliuoti 21 lygiais, sukant reguliavimo žiedą. Sulygiuokite padalas su rodykle, esančia ant įrankio korpuso. Galite nustatyti minimalų veržimo momentą 1 ir maksimalų veržimo momentą ties  žyma.

Sankaba slys esant įvairiems sukimo momentams, nustačius ties 1–20. Nustačius ties žyme , sankaba neveikia. Prieš pradėdami tikrą darbą, įsukite bandomąjį varžtą į reikiamą ar analogišką medžiagą, kad išsiaiškintumėte, kurio sukimo momento lygio reikia konkrečiam darbui atlikti.

Toliau bendrais bruožais nurodyta, kokias padalas reikia naudoti sukant skirtingus varžtus.

Padalys	1	2	3	4	5	6	7	8	9	10	11	12	13	14	15	16	17	18	19	20	
Mašininis sraigtas	M4								M5						M6						
Medvaržtis	Minkšta mediena (pvz., pušis)	–										φ3,5 x 22				φ4,1 x 38					
	Kieta mediena (pvz., lauanas)	–										φ3,5 x 22				–					
	–										–				φ4,1 x 38						

SURINKIMAS

⚠ PERSPĖJIMAS: Prieš darydami ką nors įrankiui visada patikrinkite, ar įrenginys išjungtas, o akumuliatorių kasetė – nuimta.

Suktuvo / grąžto galvutėjų dėjimas ir išėmimas

Modeliui DF333D (pasirenkamas priedas)

► **Pav.8:** 1. Įvorė 2. Uždaryti 3. Atidaryti

Pasukite įvorę prieš laikrodžio rodyklę, kad atidarytumėte kumštelinį griebtuvą. Įdėkite suktuvo / grąžto galvutę į kumštelinį griebtuvą tiek giliai, kiek lenda. Pasukite įvorę pagal laikrodžio rodyklę, kad priveržtumėte kumštelinį griebtuvą. Jei norite išimti suktuvo / grąžto galvutę, pasukite įvorę prieš laikrodžio rodyklę.

Suktuvo galvutės / sukimo antgalio dėjimas ir išėmimas

Modeliui DF033D (pasirenkamas priedas)

► Pav.9

Naudokite tik tokią sukтуvo galvutę / sukimo antgalį, kurio įkišama dalis yra tokia, kaip parodyta paveikslėlyje. Nenaudokite jokios kitos sukтуvo galvutės / sukimo antgalio.

PASTABA: Galima naudoti mažesnio gylio (A=12 mm, B=9 mm) ir didesnio gylio (A=17 mm, B=14 mm) sukтуvo galvutes.

Norėdami įstatyti sukтуvo galvutę, stumkite įvorę rodyklės kryptimi ir įkiškite į ją sukтуvo galvutę tiek, kiek ji lenda. Tada atleiskite įvorę, kad galvutė užsifiksuotų.

► **Pav.10:** 1. Suktuvo galvutė 2. Įvorė

Norėdami ištraukti sukтуvo galvutę, traukite įvorę rodyklės kryptimi ir ištraukite galvutę.

PASTABA: Jeigu sukтуvo galvutės neįkiškite į įvorę iki galo, įvorė nesugrįš į pradinę padėtį ir galvutė neužsifiksuos. Tokiu atveju dar kartą pabandykite įkišti galvutę, laikydamiesi anksčiau išdėstytų nurodymų.

PASTABA: Įdėję galvutę, įsitikinkite, ar ji tvirtai pritvirtinta. Jei ji iškrenta, nenaudokite jos.

Kabliuko montavimas

▲PERSPĖJIMAS: Montuodami kablį, visada jį tvirtai užveržkite varžtu. Antraip kablys gali nulėkti nuo įrankio ir sužaloti.

► **Pav.11:** 1. Griovelis 2. Kablys 3. Varžtas

Kablys yra patogus, kai norite trumpam pakabinti įrankį. Jį galima uždėti bet kurioje įrankio pusėje. Norėdami sumontuoti kablį, įkiškite jį į bet kurioje įrankio korpuso pusėje esantį griovelį, po to priveržkite jį varžtu. Norėdami kablį nuimti, atsukite varžtą ir nuimkite jį.

Suktuvo galvutės laikiklio sumontavimas

Pasirenkamas priedas

► **Pav.12:** 1. Suktuvo galvutės montavimo laikiklis 2. Suktuvo galvutė

Įkiškite sukтуvo galvutės laikiklį į iškyšą, esančią įrankio kojelės dešinėje arba kairėje, ir tvirtai priveržkite jį varžtu. Jeigu sukтуvo galvutės nenaudojate, palikite ją laikiklyje. Ten galima laikyti 45 mm ilgio sukтуvo galvutes.

NAUDOJIMAS

▲PERSPĖJIMAS: Visuomet iki galo įkiškite akumulatoriaus kasėtę, kad tinkamai užsifiksuotų. Jeigu matote raudoną indikatorį viršutinėje mygtuko pusėje, ji nėra visiškai užfiksuota. Įstumkite ją iki galo tol, kol nebe-matsite raudono indikatoriaus. Priešingu atveju ji gali atsitiktinai iškristi iš įrankio, sužeisti jus arba aplinkinius.

▲PERSPĖJIMAS: Jeigu greitis nepaprastai smarkiai sumažėja, sumažinkite apkrovą arba išjunkite įrankį, kad jis nebūtų sugadintas.

Norėdami kontroliuoti užsikimą, viena ranka tvirtai laikykite įrankį už rankenos, o kita ranka – už akumulatoriaus kasėtės apačios.

► **Pav.13**

Varžtų sukimas

▲PERSPĖJIMAS: Sureguliuokite reguliavimo žiedą tinkamam jūsų darbo lygiui.

▲PERSPĖJIMAS: Patikrinkite, ar sukтуvas įstatytas tiesiai į varžto galvutę, nes galima sugadinti varžtą ir (arba) sukтуvo galvutę.

Pridėkite varžtų sukтуvo galvutę prie varžto galvutės ir paspauskite įrankį. Pradėkite dirbti įrankiu mažu greičiu ir palaipsniui didinkite greitį. Atleiskite mygtuką, kai tik įlenda griebtuvus.

PASTABA: Norėdami sukti medvaržčius, iš anksto išgręžkite vedančiąsias 2/3 varžto skersmens skylutes. Tuomet medvaržčius sukti bus lengviau ir ruošinys neskilinės.

Gręžimas

Pirmiausiai pasukite reguliavimo žiedą taip, kad rodyklė būtų nukreipta į žymą. Toliau atlikite šiuos veiksmus.

Medienos gręžimas

Kai gręžiate medieną, geriausi rezultatai gaunami su grąžtais, turinčiais pagrindinį varžtą. Kreipiamasis sraigtas palengvina gręžimą, įtraukdamas grąžto galvutę į ruošinį.

Metalo gręžimas

Kad grąžto galvutė neslystų, kai pradėsite gręžti skylę, įmuškite duobutę centro mušekliu ir plaktuku numatomoje gręžimo vietoje. Pridėkite grąžto galvutės galą prie įdubimo ir pradėkite gręžti.

Gręždami metalus, naudokite pjovimo tepalą. Išimtyms – geležis ir žalvaris, kuriuos reikia gręžti sausai.

▲PERSPĖJIMAS: Per didelį įrankio spaudimas nepagreitins gręžimo. Iš tikrųjų dėl tokio spaudimo gali būti pažeista grąžto galvutė, pablogėti įrankio darbas ir sutrumpėti jo eksploataavimo trukmė.

▲PERSPĖJIMAS: Laikykite įrankį tvirtai ir atsargiai žiūrėkite, kada grąžto galvutė pradės gręžti ruošinį. Įrankį / grąžto galvutę veikia didelė sukamoji jėga, kai gręžiama skylė.

▲PERSPĖJIMAS: Įstrigusią grąžto galvutę galima ištraukti tiesiog atbulinės eigos jungiklį nustatant į atbulinės eigos padėtį. Tačiau įrankis gali grubiai judėti atgal, jei tvirtai nelaikysite įrankio.

▲PERSPĖJIMAS: Visada pritvirtinkite apdirbamus gaminius spaustuvoose arba panašiam prilaikymo prietaisui.


▲PERSPĖJIMAS: Jei įrankis naudojamas tol, kol akumulatoriaus kasėtę išsikrauna, leiskite įrankiui pailsėti 15 minučių prieš tęsdami su kitu akumulatoriumi.

Įrankio kaip rankinio suktuvo naudojimas.

► Pav.14

Išjunkite įrankį.

Atbulinės eigos jungiklio svirtelę nustatykite į neutralią padėtį.

Pasukite nustatymo žiedą taip, kad rodyklė rodytų į žymę .

Pasukite įrankį.

PASTABA: Taip patogu patikrinti varžto sukimą.

PASTABA: Nenaudokite įrankio darbui, reikalaujančiam didelės jėgos, pavyzdžiui, varžtams priveržti arba surūdijusiems varžtams išsukti.

Dėklo naudojimas

Pasirenkamas priedas

▲ PERSPĖJIMAS: Naudodami dėklą, išimkite suktuvo galvutę / grąžto galvutę iš įrankio.

▲ PERSPĖJIMAS: Išjunkite įrankį ir palaukite, kol jis visiškai sustos, tik tada dėkite jį į dėklą. Paspausdami mygtuką, tvirtai uždarykite dėklą, kad jis tvirtai laikytų įrankį.

1. Dėklą perjuoskite diržu ar kuo nors panašiu.

► **Pav.15:** 1. Dėklo laikiklis 2. Liemens diržas

2. Įdėkite įrankį į dėklą ir uždarykite jį dėklo mygtuku.

► **Pav.16**

► **Pav.17**

Dvi sukimo galvutes galima laikyti dėklo priekyje.

TECHNINĖ PRIEŽIŪRA

▲ PERSPĖJIMAS: Visuomet įsitikinkite, ar įrankis yra išjungtas ir akumulatoriaus kasetė yra nuimta prieš atlikdami apžiūrą ir priežiūrą.

PASTABA: Niekada nenaudokite gazolino, benzino, tirpiklio, spirito arba panašių medžiagų. Gali atsirasti išblukimų, deformacijų arba įtrūkimų.

Kad gaminyt būtų SAUGUS ir PATIKIMAS, jį taisyti, apžiūrėti ar vykdyti bet kokią kitą priežiūrą ar derinimą turi įgaliotasis kompanijos „Makita“ techninės priežiūros centras; reikia naudoti tik kompanijos „Makita“ pagamintas atsargines dalis.

PASIRENKAMI PRIEDAI

▲ PERSPĖJIMAS: Šiuos papildomus priedus arba įtaisus rekomenduojama naudoti su šioje instrukcijoje nurodytu „Makita“ bendrovės įrankiu. Naudojant bet kokius kitus papildomus priedus arba įtaisus, gali kilti pavojus sužeisti žmones. Naudokite tik nurodytam tikslui skirtus papildomus priedus arba įtaisus.

Jeigu norite daugiau sužinoti apie tuos priedus, kreipkitės į artimiausią „Makita“ techninės priežiūros centrą.

- Grąžtai
- Suktuvo galvutės
- Sukimo antgaliai
- Suktuvo galvutės montavimo laikiklis
- Dėklas
- Plastikinis dėklas
- Kablys
- Originalus „Makita“ akumulatorius ir įkroviklis

PASTABA: Kai kurie sąraše esantys priedai gali būti pateikti įrankio pakuotėje kaip standartiniai priedai. Jie įvairiose šalyse gali skirtis.

TEHNILISED ANDMED

Mudel:		DF333D	DF033D
Puurimisvõimekus	Teras	10 mm	
	Puit	21 mm	
Kinnitamisevõimekus	Puidukruvi	5,1 mm × 63 mm	
	Metallikruvi	M6	
Koormuseta kiirus	Kiire (2)	0 - 1 700 min ⁻¹	
	Aeglane (1)	0 - 450 min ⁻¹	
Üldpikkus		179 mm	149 mm
Nimipinge		Alalisvool 10,8 V - 12 V max	
Netokaal		1,1 - 1,2 kg	0,93 - 1,1 kg

- Meie pideva uuringu- ja arendusprogrammi tõttu võidakse tehnilisi andmeid muuta ilma sellest ette teatamata.
- Tehnilised andmed võivad riigiti erineda.
- Kaal võib erineda olenevalt liseseadistest, kaasa arvatud akukassetist. Kergeim ja raskeim kombinatsioon EPTA-protseduuri 01/2014 kohaselt on toodud tabelis.

Sobiv akukassett ja laadija

Akukassett	BL1015 / BL1016 / BL1020B / BL1021B / BL1040B / BL1041B
Laadija	DC10SA / DC10SB / DC10WC / DC10WD / DC18RE

- Mõned eespool loetletud akukassetid ja -laadijad ei pruugi olla teie riigis saadaval.

⚠ HOIATUS: Kasutage ainult ülalpool loetletud akukassette ja laadijaid. Muude akukassettide ja laadijate kasutamine võib tekitada vigastusi ja/või tulekahju.

Kavandatud kasutus

See tööriist on mõeldud puidu, metalli ja plasti puurimiseks ning sinna kruvide keeramiseks.

Müra

Tüüpiline A-korrigeeritud müratase, määratud standardi EN62841-2-1 kohaselt:

Mudel DF333D

Helirõhutase (L_{pA}): 70 dB (A) või vähem
Määramatus (K): 3 dB (A)

Töötamisel võib müratase ületada 80 dB (A).

Mudel DF033D

Helirõhutase (L_{pA}): 70 dB (A) või vähem
Määramatus (K): 3 dB (A)

Töötamisel võib müratase ületada 80 dB (A).

⚠ HOIATUS: Kasutage kõrvakaitsmeid.

Vibratsioon

Vibratsiooni koguväärtus (kolmeteljeliste vektorite summa) määratud standardi EN62841-2-1 kohaselt:

Mudel DF333D

Töörežiim: metalli puurimine
Vibratsiooniheide ($a_{h,D}$): 2,5 m/s² või vähem
Määramatus (K): 1,5 m/s²

Mudel DF033D

Töörežiim: metalli puurimine
Vibratsiooniheide ($a_{h,D}$): 2,5 m/s² või vähem
Määramatus (K): 1,5 m/s²

⚠ MÄRKUS: Deklareeritud vibratsiooniheite väärtus on mõeldud kooskõlas standardse testimismeetodiga ning seda võib kasutada ühe seadme võrdlemiseks teisega.

⚠ MÄRKUS: Deklareeritud vibratsiooniheite väärtust võib kasutada ka mürataseme esmaseks hindamiseks.

⚠ HOIATUS: Vibratsioonitase võib elektritööriista tegelikkuses kasutamise ajal erineda deklareeritud väärtusest olenevalt tööriista kasutamise viisidest.

⚠ HOIATUS: Rakendage operaatori kaitsmiseks kindlasti piisavaid ohutusabinõusid, mis põhinevad hinnangulisel müratasemel tegelikus töösituatsioonis (võttes arvesse tööperioodi kõiki osasid, nagu näiteks korrad, kui seade lülitatakse välja ja seade töötab tühikäigul, lisaks tööajale).

EÜ vastavusdeklaratsioon

Ainult Euroopa riikide puhul

EÜ vastavusdeklaratsioon sisaldub käesoleva juhendi Lisas A.

OHUTUSHOIATUSED

Üldised elektritööriistade ohutushoiatused

⚠HOIATUS: Lugege läbi kõik selle elektritööriistaga kaasas olevad ohutushoiatused, juhised, joonised ja tehnilised andmed. Järgnevate juhiste eiramine võib põhjustada elektrilöögi, süttimise ja/või raske kehavigastuse.

Hoidke edaspidisteks viideteks alles kõik hoiatused ja juhtnöörid.

Hoiatuses kasutatud termini „elektritööriist“ all peetakse silmas elektriga töötavaid (juhtmega) elektritööriistu või akuga töötavaid (juhtmeta) elektritööriistu.

Juhtmeta trell-kruvikeeraja ohutusnõuded

1. Kasutage lisakäepidet/pidemeid, kui need on tööriistadega kaasas. Kontrolli puudumine võib põhjustada inimestele vigastusi.
2. Hoidke elektritööriista isoleeritud käepidemest, kui löikate ja löikeriist võib kokku puutuda peidetud juhtmega. Voolu all oleva juhtmega kokkupuutesse sattunud löiketera võib pingestada elektritööriista metallosi ning põhjustada kasutajale elektrilöögi.
3. Hoidke elektritööriista isoleeritud haardepindadest, kui töötate kohas, kus kinnitusvahend võib sattuda kokkupuutesse varjatud elektrijuhtmetega. Kinnitusdetaili kokkupuude elektrijuhtmega võib pingestada tööriista avatud metallosad, mille tulemusel võib operaator saada elektrilöögi.
4. Veenduge alati, et teie jalgealune oleks kindel. Kui töotate kõrguses, siis jälgige, et teist allpool ei viibiks inimesi.
5. Hoidke tööriistast kindlalt kinni.
6. Hoidke käed eemal pöörlevatest osadest.
7. Ärge jätke tööriista käima. Käivitage tööriist ainult siis, kui hoiate seda käes.
8. Ärge puutuge puuri või töödeldavat detaili vahetult peale puurimist; need võivad olla väga kuumad ja põhjustada põletushaavu.
9. Mõned materjalid võivad sisaldada mürgiseid aineid. Võtke meetmeid tolmude sissehingamise ja nahaga kokkupuute vältimiseks. Järgige materjali tarnija ohustusteavet.
10. Kui puuri ei saa lõdvemaks lasta, isegi kui haaratsid avate, kasutage selle väljatõmbamiseks tange. Sellisel juhul võib puuri terav serv tekitada selle käega väljatõmbamisel vigastusi.

HOIDKE JUHEND ALLES.

⚠HOIATUS: ÄRGE UNUSTAGE järgida toote ohutusnõudeid mugavuse või toote (korduskasutamise) saavutamise hea tundmise tõttu. VALE KASUTUS või kasutusjuhendi ohutuseeskirjade eiramine võib põhjustada tervisekahjustusi.

Akukassetiga seotud olulised ohutusjuhised

1. Enne akukasseti kasutamist lugege (1) akulaadiljal, (2) akul ja (3) seadmel olevad juhtnöörid ja hoiatused läbi.
2. Ärge võtke akukassetti lahti.
3. Kui tööaeg järsult lüheneb, siis lõpetage kohe kasutamine. Edasise kasutamise tulemuseks võib olla ülekuumenemisoht, võimalikud põletused või isegi plahvatus.
4. Kui elektrolüüti satub silma, siis loputage silma puhta veega ja pöörduge koheselt arsti poole. Selline õnnetus võib põhjustada pimedaksjäämist.
5. Ärge tekitage akukassetis lühist:
 - (1) Ärge puutuge klemme elektrijuhtmetega.
 - (2) Ärge hoidke akukassetti tööriistakastis koos metallesemetega, nagu naelad, mündid jne.
 - (3) Ärge tehke akukassetti märjaks ega jätke seda vihma kätte.

Aku lühis võib põhjustada tugevat elektrivoolu, ülekuumenemist, põletusi ning ka seadet tõsiselt kahjustada.

6. Ärge hoidke tööriista ja akukassetti kohtades, kus temperatuur võib tõusta üle 50 °C.
7. Ärge põletage akukassetti isegi siis, kui see on saanud tõsiselt vigastada või on täiesti kulunud. Akukassett võib tules plahvatada.
8. Olge ettevaatlik, ärge laske akul maha kukkuda ja vältige lööke.
9. Ärge kasutage kahjustatud akut.
10. Sisalduvatele liitium-ioonakudele võivad kohalduda ohtlike kaupade õigusaktide nõuded. Kaubanduslikul transportimisel, näiteks kolmandate poolte või transpordiettevõtete poolt, tuleb järgida pakendil ja sihtidel toodud erinõudeid. Transportimiseks ettevalmistamisel on vajalik pidada nõu ohtliku materjali eksperdiga. Samuti tuleb järgida võimalike riiklike regulatsioonide üksikasjalikumaid nõudeid. Katke teibiga või varjake avatud kontaktid ja pakendage aku selliselt, et see ei saaks pakendis liikuda.
11. Järgige kasutusõhmatuks muutuunud aku käitlemisel kohalikke eeskirju.
12. Kasutage akusid ainult Makita heaks kiidetud toodetega. Akude paigaldamine selleks mitte ettenähtud toodetele võib põhjustada süttimist, ülemäära kuumust, plahvatamist või elektrolüüdi lekkimist.

HOIDKE JUHEND ALLES.

⚠ETTEVAATUST: Kasutage ainult Makita originaalakusid. Mitte Makita originaalakude või muudetud akude kasutamine võib põhjustada akude süttimise, kehavigastuse ja kahjustuse. Samuti muudab see kehtetuks Makita tööriista ja laadija Makita garantii.

Vihjeid aku maksimaalse kasutuse tagamise kohta

1. Laadige akukassetti enne selle täieliku tühjenemist. Kui märkate, et tööriist töötab väiksema võimsusega, peatage töö ja laadige akukassetti.
2. Ärge laadige täielikult laetud akukassetti. Ülelaadimine lühendab akude kasutusiga.
3. Laadige akukassetti toatemperatuuril 10 °C - 40 °C. Enne laadimist laske kuumenenud akukassetil maha jahtuda.

FUNKTSIONAALNE KIRJELDUS

⚠ETTEVAATUST: Kandke alati hoolt selle eest, et tööriist oleks enne reguleerimist ja kontrollimist välja lülitatud ja akukassett eemaldatud.

Akukasseti paigaldamine või eemaldamine

⚠ETTEVAATUST: Lülitage tööriist alati enne akukasseti paigaldamist või eemaldamist välja.

⚠ETTEVAATUST: Akukasseti paigaldamisel või eemaldamisel tuleb tööriista ja akukassetti kindlalt paigal hoida. Kui tööriista ja akukassetti ei hoita kindlalt paigal, võivad need käest libiseda ning kahjustada tööriista ja akukassetti või põhjustada kehavigastusi.

► **Joon.1:** 1. Punane näidik 2. Nupp 3. Akukassett

Akukasseti eemaldamiseks libistage see tööriista küljest lahti, vajutades kasseti esiküljel paiknevat nuppu alla.

Akukasseti paigaldamiseks joondage akukasseti keel korpuse soonega ja libistage kassett oma kohale. Paigaldage akuadapter alati nii kaugele, et see lukustuks klõpsatusega oma kohale. Kui näete nupu ülaosas punast osa, pole kassett täielikult lukustunud.

⚠ETTEVAATUST: Paigaldage akukassett alati täies ulatuses nii, et punast osa ei jääks näha. Muidu võib adapter juhulkiult tööriistast välja kukkuda ning põhjustada teile või läheduses viibivatele isikutele vigastusi.

⚠ETTEVAATUST: Ärge rakendage akukasseti paigaldamisel jõudu. Kui kassett ei lähe kergesti sisse, pole see õigesti paigaldatud.

Aku kaitsesüsteem

Tööriist on varustatud aku kaitsesüsteemiga. Süsteem lülitab mootori automaatselt välja, et pikendada aku tööiga.

Tööriist seiskub käitamise ajal automaatselt, kui tööriista ja/või aku kohta kehtivad järgmised tingimused:

Ülekoormus:

Tööriista kasutatakse viisil, mis põhjustab toitevoolu tugevuse tõusu lubatust kõrgemale.

Sellisel juhul lülitage tööriist välja ning lõpetage tööriista ülekoormuse põhjustanud tegevus. Pärast seda käivitage tööriist uuesti.

Kui tööriist ei käivitu, on aku üle kuumenenud. Sellises olukorras laske akul enne tööriista uuesti sisselülitamist jahtuda.

Madal akupinge:









Järelejäänud aku voolutugevus on liiga väike ja tööriist ei tööta. Tööriista sisse lülitades hakkab mootor tööle, kuid seiskub peatselt. Sellisel juhul eemaldage aku ja laadige seda.

Aku jääkmahutavuse näit

Ainult näidikuga akukassettidele

► **Joon.2:** 1. Märgulambid 2. Kontrollimise nupp

Akukasseti järelejäänud mahutavuse kontrollimiseks vajutage kontrollimise nuppu. Märgulambid süttivad mõneks sekundiks.

Märgulambid		Jääkmahutavus
Pöleb	Ei põle	
		75–100%
		50–75%
		25–50%
		0–25%

MÄRKUS: Näidatud mahutavus võib veidi erineda tegelikust mahutavusest olenevalt kasutustingimustest ja ümbritseva keskkonna temperatuurist.

Lüliti funktsioneerimine

► **Joon.3:** 1. Lüliti päästik

⚠ETTEVAATUST: Kontrollige alati enne akukasseti tööriista külge paigaldamist, kas lüliti päästik funktsioneerib nõuetekohaselt ja liigub lahtilaskmisel tagasi väljalülitatud asendisse.

Tööriista tööle panemiseks on vaja lihtsalt lüliti päästikut tõmmata. Tööriista kiirus kasvab siis, kui suurendate survet lüliti päästikule. Vabastage lüliti päästik tööriista seiskamiseks.

Eesmise lambi süütamine

► **Joon.4:** 1. Lamp

⚠ETTEVAATUST: Ärge vaadake otse valgusesse ega valgusallikat.

Lambi süütamiseks tõmmake lüliti päästikut. Lamp põleb sel ajal, kui tõmmatakse lüliti päästikut. Lamp kustub umbes 10 sekundit pärast lüliti päästiku vabastamist.

MÄRKUS: Pühkige lamp kuiva lapiga puhtaks. Olge seda tehes ettevaatlik, et lambi läätse mitte kriimustada, sest muidu võib valgustus väheneda.

Suunamuutmise lüliti töötamisviis

► **Joon.5:** 1. Suunamuutmise lüliti hoo

⚠ETTEVAATUST: Enne töö alustamist kontrollige alati pöörlemise suunda.

⚠ETTEVAATUST: Kasutage suunamuutmislülitit alles pärast tööriista täielikku seiskumist. Enne tööriista seiskumist suuna muutmine võib tööriista kahjustada.

⚠ETTEVAATUST: Kui tööriista ei kasutata, peab suunamuutmislülitit hoo olema alati neutraalses asendis.

Selle tööriistal on suunamuutmise lüliti, millega saab muuta pöörlemise suunda. Suruge suunamuutmislüliti hoob A-küljel alla – tööriist pöörleb päripäeva, vastupäeva pöörlemiseks suruge see alla B-küljel. Kui suunamuutmislüliti hoob on neutraalses asendis, siis lüliti päästikut tömmata ei saa.

Kiiruse muutmine

► **Joon.6:** 1. Kiiruseregulaatori hoob

⚠ETTEVAATUST: Seadke kiiruseregulaatori hoob alati korralikult õigesse asendisse. Tööriista kasutamine sellisel, et kiiruseregulaatori hoob paikneb „1” ja „2” asendi vahel, võib tööriista kahjustada.

⚠ETTEVAATUST: Ärge kasutage kiiruseregulaatori hooba siis, kui tööriist töötab. See võib tööriista kahjustada.



Kiiruse vahetamise hoova asend	Kiirus	Väändemoment	Sobiv toiming
1	Kiire	Aeglane	Suure koormusega töötamine
2	Aeglane	Kiire	Kerge koormusega töötamine

Kiiruse muutmiseks lülitage tööriist kõigepealt välja. Valige „2” suure kiiruse jaoks või „1” väikese kiiruse, kuid suure väändemomendi jaoks. Veenduge, et enne töö alustamist oleks kiiruseregulaatori hoob õiges asendis.

Kui tööriista kiirus väheneb olulisel määral asendis „2” töötamise ajal, siis lükake hoob asendisse „1” ja alustage uuesti tööd.

Kinnitamiste väändemomendi reguleerimine

► **Joon.7:** 1. Reguleerimisrõngas 2. Mõõteskaala 3. Nool

Pingutusjõude saab reguleerimisrõngast pöörates 21 astme ulatuses muuta. Viige gradeerimisnumbrid kohakuti tööriista korpusel oleva noolega. Minimaalse pingutusjõu saate „1” ja maksimaalse pingutusjõu  märgise juures. Sidur libiseb erinevatel väändemomendi tasemetel, kui seadeks on number 1 kuni 20. Märgise  juures sidur ei toimi.

Enne tööriista kasutamist kruvige üks kruvi prooviks töödeldavasse pinda või sarnasesse pinda, et teha kindlaks, milline väändemomendi tase on töö jaoks sobivaim.

Alljärgneval joonisel on näidatud kruvi suuruse ja mõõteskaala jaotise ligikaudne vastavus.

Mõõteskaala	1	2	3	4	5	6	7	8	9	10	11	12	13	14	15	16	17	18	19	20	
Metallikruvi	M4								M5						M6						
Puidukruvi	Okaspuu (näiteks mänd)	–										φ3,5 × 22				φ4,1 × 38					
	Lehtpuu (näiteks lauan)	–										φ3,5 × 22				–					
	–										φ4,1 × 38						–				

KOKKUPANEK

⚠ETTEVAATUST: Kandke alati hoolt selle eest, et tööriist oleks enne igasuguseid hooldustöid välja lülitatud ja akukassett eemaldatud.

Kruvikeeraja otsaku / puuriotsaku paigaldamine või eemaldamine

Mudel DF333D (valikuline lisatarvik)

► **Joon.8:** 1. Hülss 2. Sulge 3. Ava

Keerake pakkide avamiseks padruni keret vastupäeva. Paigaldage kruvikeeraja otsak / puuriotsak padrunisse maksimaalsele sügavusele. Keerake padruni pingutamiseks selle keret vastupäeva. Kruvikeeraja otsaku / puuriotsaku eemaldamiseks keerake padruni keret vastupäeva.

Kruvikeeraja otsaku/sokliotsaku paigaldamine või eemaldamine

Mudel DF033D (valikuline lisatarvik)

► **Joon.9**

Kasutage ainult otsakut/sokliotsakut, mille sisestatavat osa on joonisel näidatud. Ärge kasutage teistsuguseid kruvikeeraja otsakuid / sokliotsakuid.

MÄRKUS: Kasutada võib nii madalamat (A = 12 mm, B = 9 mm) kui ka sügavamat tüüpi (A = 17 mm, B = 14 mm) kruvikeeraja otsakuid.

Kruvikeeraja otsaku paigaldamiseks tömmake hülssi noole suunas ja torgake kruvikeeraja otsak võimalikult sügavale hülssi.

Seejärel vabastage hülss kruvikeeraja otsaku kinnitamiseks.

► **Joon.10:** 1. Kruvikeeraja otsak 2. Hülss

Kruvikeeraja otsaku eemaldamiseks tömmake hülssi noole suunas ja tömmake kruvikeeraja otsak välja.

MÄRKUS: Kui kruvikeeraja otsakut ei panda piisavalt sügavale hülssi, ei pöördu hülss tagasi algasendisse ja kruvikeeraja otsak ei fikseeru. Sel juhul proovige otsakut eespool toodud suuniste kohaselt uuesti paigaldada.

MÄRKUS: Pärast kruvikeeraja otsaku sisestamist kontrollige, kas see on tugevalt kinni. Kui see ei tule enam välja, ärge kasutage seda.

Konksu paigaldamine

⚠ETTEVAATUST: Konksu paigaldamisel keerate kruvi alati tugevalt kinni. Muidu võib konks tööriistalt lahti tulla ja kahavagastusi põhjustada.

► **Joon.11:** 1. Soon 2. Konks 3. Kruvi

Konksu abil saate tööriista ajutiselt kuhugi riputada. Selle võib paigaldada tööriista ükskõik kummale küljele. Konksu paigaldamiseks torgake see tööriista korpuse ükskõik kummal küljel olevasse õnarusse ja kinnitage kruviga. Eemaldamiseks lõdvendage kruvi ja võtke see siis välja.

Kruvikeeraja otsaku hoidiku paigaldamine

Valikuline tarvik

► **Joon.12:** 1. Kruvikeeraja otsaku hoidik
2. Kruvikeeraja otsak

Asetage kruvikeeraja otsakute hoidik tööriista jalami juures parem- või vasakpoolel küljel olevasse eendisse ja kinnitage kruviga.

Kui te kruvikeeraja otsakuid ei kasuta, hoidke neid kruvikeeraja otsakute hoidikus. Seal saate hoida kuni 45 mm pikkuseid kruvikeeraja otsakuid.

TÖÖRIISTA KASUTAMINE

⚠ETTEVAATUST: Pange akukassett alati sisse nii sügavale, et see lukustuks oma kohale. Kui näete nupu ülaosas punast osa, pole kassett täielikult lukustunud. Sisestage see täies ulatuses nii, et punast osa ei jääks näha. Muidu võib adapter juhuslikult tööriistast välja kukkuda ning põhjustada teile või läheduses viibivatele isikutele vigastusi.

⚠ETTEVAATUST: Kui kiirus väheneb olulisel määral, siis vähendage koormust või seisake tööriist, et vältida tööriista kahjustamist.

Väändeliikumise kontrolli all hoidmiseks hoidke tööriista kindlalt ühe käega käepidemest ja teise käega akukasseti alt.

► **Joon.13**

Kruvikeeraja režiim

⚠ETTEVAATUST: Reguleerige regulaatorrõngas tööks sobivale vändemomendi tasemele.

⚠ETTEVAATUST: Veenduge, et kruvikeeraja otsak oleks asetatud kruvipeasse otse, sest muidu võite kruvi ja/või kruvikeeraja otsakut kahjustada.

Asetage kruvikeeraja otsaku tipp kruvipeasse ja suruge tööriistale. Käivitage tööriist aeglaselt ja seejärel suurendage järk-järgult kiirust. Vabastage lüliti päästik niipea, kui sidur rakendub.

MÄRKUS: Puidukruvi paigaldamisel puurige enne juhtauk, mille läbimõõt moodustab 2/3 kruvi läbimõõdu. See hõlbustab kruvi paigaldamist ja aitab vältida töödeldava detaili lõhenemist.

Puurimisrežiim

Esmalt pöörake reguleerimisrõngast nii, et nool oleks suunatud märgisele . Seejärel tegutsuge järgmiselt.

Puidu puurimine

Puidu puurimise hõlbustamiseks kasutage juhtkruviga puure. Juhtkruvi lihtsustab puurimist, tõmmates kruvikeeraja otsaku pinna sisse.

Metalli puurimine

Puuriotsaku liibsemise vältimiseks puurimise alustamise hetkel, tehke puuritavasse kohta kärni ja haamriga mäрге. Asetage puuriotsaku tipp märgi kohale ja alustage puurimist.

Metallide puurimisel kasutage lõikuri määrdõli. Erandiks on raud ja messing, mida tuleks puurida kuivalt.

⚠ETTEVAATUST: Liiga suur surve seadmele ei kiirenda puurimist. Liigne surve hoopis kahjustab puuriotsaku tippu, vähendab seadme efektiivsust ja lühendab seadme tööiga.

⚠ETTEVAATUST: Hoidke tööriista kindlalt ning olge tähelepanelik, kui puuriotsak hakkab puuritava materjalist läbi tungima. Materjali läbitamisel rakendub tööriistale/puuriotsakule väga suur jõud.

⚠ETTEVAATUST: Kinnikiilunud puuriotsaku saab lihtsalt vabastada, kui muudate puuri pöörlemissuuna vastupidiseks. Kui tööriista ei hita kindlalt, võib see ootamatult tagasi viskuda.

⚠ETTEVAATUST: Kinnitage töödeldavad esemed alati kruustangide või mõne sarnase kinnitusvahendiga.


⚠ETTEVAATUST: Kui tööriistaga töötatakse järjest seni, kuni akukassett on tühi, laske tööriistal enne uue akuga töö jätkamist 15 minutit seista.

Tööriista kasutamine käsikruvikeerajana

► Joon.14

Lülitage tööriist välja.

Viige suunamuutmislülitit hoob neutraalasendisse.

Pöörake regulaatorrõngast selliselt, et osuti osutaks sümbolile .

Pöörake tööriista.

MÄRKUS: Selline kasutusviis on mugav kruvikeeramise kontrolliks.

MÄRKUS: Ärge kasutage seda tööriista suurt jõudu vajavaks tööks, näiteks poltide kinnitamiseks või roostes kruvide eemaldamiseks.

Tööriistahoidiku kasutamine

Valikuline tarvik

⚠ETTEVAATUST: Tööriistahoidiku kasutamisel eemaldage kruvikeeraja otsak / puuriotsak tööriistalt.

⚠ETTEVAATUST: Lülitage tööriist välja ja enne selle paigutamist tööriistahoidikusse oodake, kuni tööriist on täielikult seiskunud. Veenduge, et tööriistahoidik oleks tööriistahoidiku nõõbiga kindlalt suletud, nii et tööriist püsib kindlalt.

1. Lükake püksirihm või muu sarnane rihm läbi tööriistahoidiku.

► Joon.15: 1. Tööriistahoidik 2. Püksirihm

2. Asetage tööriist hoidikusse ja sulgege see tööriistahoidiku nõõbiga.

► Joon.16

► Joon.17

Te saate kahte kruvikeeraja otsakut hoida tööriistahoidiku ees.

HOOLDUS

⚠ETTEVAATUST: Enne kontroll- või hooldustoimingute tegemist kandke alati hoolt selle eest, et tööriist oleks välja lülitatud ja akukassett korpuse küljest eemaldatud.

TÄHELEPANU: Ärge kunagi kasutage bensiini, vedeldit, alkoholi ega midagi muud sarnast. Selle tulemuseks võib olla luitumine, deformatsioon või pragunemine.

Toote OHUTUSE ja TÖÖKINDLUSE tagamiseks tuleb vajalikud remonttööd ning muud hooldus- ja reguleerimistööd lasta teha Makita volitatud teeninduskeskustes või tehase teeninduskeskustes. Alati tuleb kasutada Makita varuosi.

VALIKULISED TARVIKUD

⚠ETTEVAATUST: Neid tarvikuid ja lisaseadiseid on soovitatav kasutada koos Makita tööriistaga, mille kasutamist selles kasutusjuhendis kirjeldatakse. Muude tarvikute ja lisaseadiste kasutamisega kaasneb vigastada saamise oht. Kasutage tarvikuid ja lisaseadiseid ainult otstarbekohaselt.

Saate vajaduse korral kohalikust Makita teeninduskeskusest lisateavet nende tarvikute kohta.

- Puurid
- Kruvikeeraja otsakud
- Sokliga otsakud
- Kruvikeeraja otsaku hoidik
- Tööriistahoidik
- Plastist kandekohver
- Konks
- Makita algupärane aku ja laadija

MÄRKUS: Mõned nimekirjas loetletud tarvikud võivad kuuluda standardvarustusse ning need on lisatud tööriista pakendisse. Need võivad riigiti erineda.

ТЕХНИЧЕСКИЕ ХАРАКТЕРИСТИКИ

Модель:		DF333D	DF033D
Максимальный диаметр сверления	Сталь	10 мм	
	Дерево	21 мм	
Усилие затяжки	Шуруп	5,1 мм x 63 мм	
	Мелкий крепежный винт	M6	
Число оборотов без нагрузки	Высокое (2)	0 - 1 700 мин ⁻¹	
	Низкое (1)	0 - 450 мин ⁻¹	
Общая длина		179 мм	149 мм
Номинальное напряжение		10,8 - 12 В пост. тока, макс.	
Масса нетто		1,1 - 1,2 кг	0,93 - 1,1 кг

- Благодаря нашей постоянно действующей программе исследований и разработок указанные здесь технические характеристики могут быть изменены без предварительного уведомления.
- Технические характеристики могут различаться в зависимости от страны.
- Масса может отличаться в зависимости от дополнительного оборудования. Обратите внимание, что блок аккумулятора также считается дополнительным оборудованием. В таблице представлены комбинации с наибольшим и наименьшим весом в соответствии с процедурой EPTA 01/2014.

Подходящий блок аккумулятора и зарядное устройство

Блок аккумулятора	BL1015 / BL1016 / BL1020B / BL1021B / BL1040B / BL1041B
Зарядное устройство	DC10SA / DC10SB / DC10WC / DC10WD / DC18RE

- В зависимости от региона проживания некоторые блоки аккумуляторов и зарядные устройства, перечисленные выше, могут быть недоступны.

⚠ ОСТОРОЖНО: Используйте только перечисленные выше блоки аккумуляторов и зарядные устройства. Использование других блоков аккумуляторов и зарядных устройств может привести к травме и/или пожару.

Назначение

Инструмент предназначен для сверления и закручивания шурупов в дерево, металл и пластик.

Шум

Типичный уровень взвешенного звукового давления (A), измеренный в соответствии с EN62841-2-1:

Модель DF333D

Уровень звукового давления (L_{pA}): 70 дБ (или менее)
Погрешность (K): 3 дБ (A)

Уровень шума при выполнении работ может превышать 80 дБ (A).

Модель DF033D

Уровень звукового давления (L_{pA}): 70 дБ (или менее)
Погрешность (K): 3 дБ (A)

Уровень шума при выполнении работ может превышать 80 дБ (A).

⚠ ОСТОРОЖНО: Используйте средства защиты слуха.

Вибрация

Суммарное значение вибрации (сумма векторов по трем осям), определенное в соответствии с EN62841-2-1:

Модель DF333D

Рабочий режим: сверление металла
Распространение вибрации ($a_{h,D}$): 2,5 м/с² или менее
Погрешность (K): 1,5 м/с²

Модель DF033D

Рабочий режим: сверление металла
Распространение вибрации ($a_{h,D}$): 2,5 м/с² или менее
Погрешность (K): 1,5 м/с²

ПРИМЕЧАНИЕ: Заявленное значение распространения вибрации измерено в соответствии со стандартной методикой испытаний и может быть использовано для сравнения инструментов.

ПРИМЕЧАНИЕ: Заявленное значение распространения вибрации можно также использовать для предварительных оценок воздействия.

⚠ОСТОРОЖНО: Распространение вибрации во время фактического использования электроинструмента может отличаться от заявленного значения в зависимости от способа применения инструмента.

⚠ОСТОРОЖНО: Обязательно определите меры безопасности для защиты оператора, основанные на оценке воздействия в реальных условиях использования (с учетом всех этапов рабочего цикла, таких как выключение инструмента, работа без нагрузки и включение).

Декларация о соответствии ЕС

Только для европейских стран

Декларация о соответствии ЕС включена в руководство по эксплуатации (Приложение А).

МЕРЫ БЕЗОПАСНОСТИ

Общие рекомендации по технике безопасности для электроинструментов

⚠ОСТОРОЖНО: Ознакомьтесь со всеми представленными инструкциями по технике безопасности, указаниями, иллюстрациями и техническими характеристиками, прилагаемыми к данному электроинструменту. Несоблюдение каких-либо инструкций, указанных ниже, может привести к поражению электрическим током, пожару и/или серьезной травме.

Сохраните брошюру с инструкциями и рекомендациями для дальнейшего использования.

Термин "электроинструмент" в предупреждениях относится ко всему инструменту, работающему от сети (с проводом) или на аккумуляторах (без провода).

Меры безопасности при использовании аккумуляторной дрели-шуруповерта

1. Используйте дополнительную ручку (если входит в комплект инструмента). Утрата контроля над инструментом может привести к травме.
2. Если при выполнении работ существует риск контакта режущего инструмента со скрытой электропроводкой, держите электроинструмент за специально предназначенные изолированные поверхности. Контакт с проводом под напряжением приведет к тому, что металлические детали инструмента также будут под напряжением, что приведет к поражению оператора электрическим током.

3. Если при выполнении работ существует риск контакта инструмента со скрытой электропроводкой, держите электроинструмент за специально предназначенные изолированные поверхности. Контакт с проводом под напряжением приведет к тому, что металлические детали инструмента также будут под напряжением, что приведет к поражению оператора электрическим током.
4. При выполнении работ всегда занимайте устойчивое положение. При использовании инструмента на высоте убедитесь в отсутствии людей внизу.
5. Крепко держите инструмент.
6. Руки должны находиться на расстоянии от вращающихся деталей.
7. Не оставляйте работающий инструмент без присмотра. Включайте инструмент только тогда, когда он находится в руках.
8. Сразу после окончания работ не прикасайтесь к головке сверла или детали. Они могут быть очень горячими, что приведет к ожогам кожи.
9. Некоторые материалы могут содержать токсичные химические вещества. Примите соответствующие меры предосторожности, чтобы избежать вдыхания или контакта с кожей таких веществ. Соблюдайте требования, указанные в паспорте безопасности материала.
10. Если головку сверла не удается ослабить даже с помощью открывания зажимов, воспользуйтесь плоскогубцами, чтобы вытянуть ее. Вытягивание головки сверла вручную может привести к травмированию ее острой кромкой.

СОХРАНИТЕ ДАННЫЕ ИНСТРУКЦИИ.

⚠ОСТОРОЖНО: НЕ ДОПУСКАЙТЕ, чтобы удобство или опыт эксплуатации данного устройства (полученный от многократного использования) доминировали над строгим соблюдением правил техники безопасности при обращении с этим устройством. НЕПРАВИЛЬНОЕ ИСПОЛЬЗОВАНИЕ инструмента или несоблюдение правил техники безопасности, указанных в данном руководстве, может привести к тяжелой травме.

Важные правила техники безопасности для работы с аккумуляторным блоком

1. Перед использованием аккумуляторного блока прочитайте все инструкции и предупреждающие надписи на (1) зарядном устройстве, (2) аккумуляторном блоке и (3) инструменте, работающем от аккумуляторного блока.
2. Не разбирайте аккумуляторный блок.
3. Если время работы аккумуляторного блока значительно сократилось, немедленно прекратите работу. В противном случае, может возникнуть перегрев блока, что приведет к ожогам и даже к взрыву.

4. В случае попадания электролита в глаза промойте их обильным количеством чистой воды и немедленно обратитесь к врачу. Это может привести к потере зрения.

5. Не замыкайте контакты аккумуляторного блока между собой:

- (1) Не прикасайтесь к контактам какими-либо токопроводящими предметами.
- (2) Не храните аккумуляторный блок в контейнере вместе с другими металлическими предметами, такими как гвозди, монеты и т. п.
- (3) Не допускайте попадания на аккумуляторный блок воды или дождя.

Замыкание контактов аккумуляторного блока между собой может привести к возникновению большого тока, перегреву, возможным ожогам и даже поломке блока.

6. Не храните инструмент и аккумуляторный блок в местах, где температура может достигать или превышать 50 °C (122 °F).

7. Не бросайте аккумуляторный блок в огонь, даже если он сильно поврежден или полностью вышел из строя. Аккумуляторный блок может взорваться под действием огня.

8. Не роняйте и не ударяйте аккумуляторный блок.

9. Не используйте поврежденный аккумуляторный блок.

10. Входящие в комплект литий-ионные аккумуляторы должны эксплуатироваться в соответствии с требованиями законодательства об опасных товарах.

При коммерческой транспортировке, например, третьей стороной или экспедитором, необходимо нанести на упаковку специальные предупреждения и маркировку.

В процессе подготовки устройства к отправке обязательно проконсультируйтесь со специалистом по опасным материалам. Также соблюдайте местные требования и нормы. Они могут быть строже.

Закройте или закрепите разомкнутые контакты и упакуйте аккумулятор так, чтобы он не перемещался по упаковке.

11. Выполняйте требования местного законодательства относительно утилизации аккумуляторного блока.

12. Используйте аккумуляторы только с продукцией, указанной Makita. Установка аккумуляторов на продукцию, не соответствующую требованиям, может привести к пожару, перегреву, взрыву или утечке электролита.

СОХРАНИТЕ ДАННЫЕ ИНСТРУКЦИИ.

ВНИМАНИЕ: Используйте только фирменные аккумуляторные батареи Makita.

Использование аккумуляторных батарей, не произведенных Makita, или батарей, которые были подвергнуты модификациям, может привести к взрыву аккумулятора, пожару, травмам и повреждению имущества. Это также автоматически аннулирует гарантию Makita на инструмент и зарядное устройство Makita.

Советы по обеспечению максимального срока службы аккумулятора

1. Заряжайте блок аккумуляторов перед его полной разрядкой. Обязательно прекратите работу с инструментом и зарядите блок аккумуляторов, если вы заметили снижение мощности инструмента.
2. Никогда не подзаряжайте полностью заряженный блок аккумуляторов. Перезарядка сокращает срок службы аккумулятора.
3. Заряжайте блок аккумуляторов при комнатной температуре в 10 - 40 °C (50 - 104 °F). Перед зарядкой горячего блока аккумуляторов дайте ему остыть.

ОПИСАНИЕ РАБОТЫ

ВНИМАНИЕ: Перед регулировкой или проверкой функций инструмента обязательно убедитесь, что он выключен и его аккумуляторный блок снят.

Установка или снятие блока аккумуляторов

ВНИМАНИЕ: Обязательно выключайте инструмент перед установкой и извлечением аккумуляторного блока.

ВНИМАНИЕ: При установке и извлечении аккумуляторного блока крепко удерживайте инструмент и аккумуляторный блок. Если не соблюдать это требование, они могут выскользнуть из рук, что приведет к повреждению инструмента, аккумуляторного блока и травмированию оператора.

► **Рис.1:** 1. Красный индикатор 2. Кнопка 3. Блок аккумулятора

Для снятия аккумуляторного блока нажмите кнопку на лицевой стороне и извлеките блок.

Для установки аккумуляторного блока совместите выступ аккумуляторного блока с пазом в корпусе и задвиньте его на место. Установите блок до упора так, чтобы он зафиксировался на месте с небольшим щелчком. Если вы можете видеть красный индикатор на верхней части клавиши, адаптер аккумулятора не полностью установлен на месте.

ВНИМАНИЕ: Обязательно устанавливайте аккумуляторный блок до конца, чтобы красный индикатор не был виден. В противном случае аккумуляторный блок может выпасть из инструмента и нанести травму вам или другим людям.

ВНИМАНИЕ: Не прилагайте чрезмерных усилий при установке аккумуляторного блока. Если блок не двигается свободно, значит он вставлен неправильно.

Система защиты аккумулятора

На инструменте предусмотрена система защиты аккумулятора. Она автоматически отключает питание двигателя для продления срока службы аккумулятора. Инструмент автоматически остановится во время работы при возникновении указанных ниже ситуаций.

Перегрузка:

Из-за способа эксплуатации инструмент потребляет очень большое количество тока.

В этом случае выключите инструмент и прекратите работу, повлекшую перегрузку инструмента. Затем включите инструмент для перезапуска.

Если инструмент не включается, значит перегрелся аккумуляторный блок. В этом случае дайте аккумулятору остыть перед повторным включением инструмента.

Низкое напряжение аккумуляторной батареи:




Уровень оставшейся емкости аккумулятора слишком низкий, и инструмент не работает. При включении инструмента электродвигатель запускается и вскоре останавливается. В этом случае снимите и зарядите аккумулятор.

Индикация оставшегося заряда аккумулятора

Только для блоков аккумулятора с индикатором

► Рис.2: 1. Индикаторы 2. Кнопка проверки

Нажмите кнопку проверки на аккумуляторном блоке для проверки заряда. Индикаторы загорятся на несколько секунд.

Индикаторы		Уровень заряда
Горит	Выкл.	
		от 75 до 100%
		от 50 до 75%
		от 25 до 50%
		от 0 до 25%

ПРИМЕЧАНИЕ: В зависимости от условий эксплуатации и температуры окружающего воздуха индикация может незначительно отличаться от фактического значения.

Действие выключателя

► Рис.3: 1. Триггерный переключатель

ВНИМАНИЕ: Перед установкой аккумуляторного блока в инструмент обязательно убедитесь, что его триггерный переключатель нормально работает и возвращается в положение "OFF" (ВЫКЛ) при отпускании.

Для запуска инструмента просто нажмите на триггерный переключатель. Для увеличения числа оборотов нажмите триггерный переключатель сильнее. Отпустите триггерный переключатель для остановки.

Включение передней лампы

► Рис.4: 1. Лампа

ВНИМАНИЕ: Не смотрите непосредственно на свет или источник света.

Лампа продолжает гореть, пока нажат триггерный переключатель. Лампа будет светиться до тех пор, пока нажат триггерный переключатель. Лампа гаснет примерно через 10 секунд после отпускания триггерного переключателя.

ПРИМЕЧАНИЕ: Для удаления пыли с линзы лампы используйте сухую ткань. Не допускайте возникновения царапин на линзе лампы, так как это приведет к снижению освещенности.

Действие реверсивного переключателя

► Рис.5: 1. Рычаг реверсивного переключателя

ВНИМАНИЕ: Перед работой всегда проверяйте направление вращения.

ВНИМАНИЕ: Используйте реверсивный переключатель только после полной остановки инструмента. Изменение направления вращения до полной остановки инструмента может привести к его повреждению.

ВНИМАНИЕ: Если инструмент не используется, обязательно переведите рычаг реверсивного переключателя в нейтральное положение.

Этот инструмент оборудован реверсивным переключателем для изменения направления вращения. Нажмите на рычаг реверсивного переключателя со стороны А для вращения по часовой стрелке или со стороны В для вращения против часовой стрелки. Когда рычаг реверсивного переключателя находится в нейтральном положении, триггерный переключатель нажать нельзя.

Изменение скорости

► Рис.6: 1. Рычаг изменения скорости

ВНИМАНИЕ: Всегда устанавливайте рычаг изменения скорости в правильное положение до конца. Если Вы работаете с инструментом, а рычаг изменения скорости находится посередине между обозначениями "1" и "2", это может привести к повреждению инструмента.

ВНИМАНИЕ: Не используйте рычаг переключения скорости при работающем инструменте. Это может привести к повреждению инструмента.

Положение рычага переключения скорости	Скорость	Крутящий момент	Допустимые работы
1	Низкая	Высокая	Работа с высокой нагрузкой
2	Высокая	Низкая	Работа с малой нагрузкой

Для изменения скорости работы сначала выключите инструмент. Выберите положение "2" для высоких оборотов или положение "1" для низких оборотов с высоким крутящим моментом. Перед началом работ убедитесь в правильном положении рычага переключения скорости. Если обороты инструмента значительно снизились во время работы в положении "2", переведите рычаг в положение "1" и продолжите работу.

Регулировка крутящего момента затяжки

► **Рис.7:** 1. Регулировочное кольцо 2. Градуировка 3. Стрелка

Крутящий момент затяжки настраивается поворотом регулировочного кольца (предусмотрено 21 положения). Совместите градуировку со стрелкой на корпусе инструмента. Минимальному крутящему моменту затяжки соответствует положение 1, а максимальному – отметка 20. Муфта будет проскальзывать при различных уровнях крутящего момента, установленного на значение от 1 до 20. Муфта не работает при выборе отметки 20. Перед выполнением работы закрутите пробный болт в ваш материал или деталь из такого материала для определения необходимого крутящего момента для данного конкретного применения. Ниже приводятся ориентировочные данные о зависимости между размером шурупа и градуировкой.

Градуировка		1	2	3	4	5	6	7	8	9	10	11	12	13	14	15	16	17	18	19	20	
Мелкий крепежный винт		M4						M5						M6								
Шуруп	Мягкое дерево (например, сосна)	–						–						φ3,5 x 22			φ4,1 x 38					
	Твердое дерево (например, диптерокарп)	–						–						φ3,5 x 22			–					
		–						–						φ3,5 x 22			φ4,1 x 38					

СБОРКА

ВНИМАНИЕ: Перед проведением каких-либо работ с инструментом обязательно убедитесь, что инструмент отключен, а блок аккумулятора снят.

Установка или снятие насадки для отвертки или головки сверла

Для модели DF333D (дополнительная принадлежность)

► **Рис.8:** 1. Муфта 2. Закрыть 3. Открыть

Поверните муфту против часовой стрелки для открытия кулачков зажимного патрона. Вставьте насадку для отвертки или головку сверла в зажимной патрон как можно глубже. Поверните муфту по часовой стрелке для затяжки патрона. Для снятия насадки/головки поверните муфту против часовой стрелки.

Установка или снятие насадки для отвертки/гнездовой биты

Для модели DF033D (дополнительная принадлежность)

► **Рис.9**

Используйте только насадки для отвертки или гнездовые биты с хвостовиком, указанным на рисунке. Не используйте насадки для отвертки или гнездовые биты других типов.

ПРИМЕЧАНИЕ: Можно использовать как меньшие (A = 12 мм, B = 9 мм), так и большие (A = 17 мм, B = 14 мм) насадки для отвертки.

Для установки насадки сдвиньте муфту по стрелке и вставьте насадку в муфту до упора. Затем отпустите муфту, чтобы зафиксировать насадку.

► **Рис.10:** 1. Насадка для отвертки 2. Муфта

Для снятия насадки потяните муфту в направлении, указанном стрелкой, и вытяните насадку.

ПРИМЕЧАНИЕ: Если не вставить насадку в муфту достаточно глубоко, муфта не вернется в первоначальное положение и насадка не будет закреплена. В таком случае попытайтесь повторно вставить насадку в соответствии с инструкциями выше.

ПРИМЕЧАНИЕ: После установки насадки для отвертки проверьте надежность ее фиксации. Если насадка выходит из держателя, не используйте ее.

Установка крючка

ВНИМАНИЕ: При установке крючка надежно фиксируйте его винтом. В противном случае крючок может отсоединиться от инструмента, что может привести к травме.

► Рис.11: 1. Паз 2. Крючок 3. Винт

Крючок удобен для временного подвешивания инструмента. Он может быть установлен с любой стороны инструмента. Для установки крючка вставьте его в паз в корпусе инструмента с одной из сторон и закрепите при помощи винта. Чтобы снять крючок, необходимо сначала отвернуть винт.

Порядок установки держателя насадок для отвертки

Дополнительные принадлежности

► Рис.12: 1. Держатель насадок для отвертки
2. Насадка для отвертки

Установите держатель насадок в выступ на основании инструмента с правой или левой стороны и закрепите его при помощи винта. Если насадки для отвертки не используются, храните их в специальных держателях. Здесь могут храниться насадки длиной до 45 мм.

ЭКСПЛУАТАЦИЯ

ВНИМАНИЕ: Всегда устанавливайте блок аккумулятора до упора так, чтобы он зафиксировался на месте. Если вы можете видеть красный индикатор на верхней части клавиши, блок аккумулятора не полностью установлен на месте. Установите его до конца так, чтобы красный индикатор был не виден. В противном случае блок может выпасть из инструмента и нанести травму вам или другим людям.

ВНИМАНИЕ: В случае значительного снижения оборотов уменьшите нагрузку или остановите инструмент во избежание его повреждения.

Для управления выдалбливающим действием инструмента крепко держите его одной рукой за ручку, а другой - за нижнюю часть блока аккумуляторной батареи.

► Рис.13

Работа в режиме шуруповерта


ВНИМАНИЕ: Установите регулировочное кольцо на соответствующий уровень крутящего момента для вашей работы.

ВНИМАНИЕ: Следите за тем, чтобы насадка для отвертки вставлялась прямо в головку винта, иначе можно повредить винт и/или насадку.

Установите конец насадки в головку шурупа и придавите инструмент к шурупу. Включите инструмент на медленной скорости и затем постепенно увеличивайте ее. Отпустите триггерный переключатель, как только сработает сцепление.

ПРИМЕЧАНИЕ: При закручивании шурупов в дерево предварительно просверлите направляющее отверстие, диаметр которого равен 2/3 диаметра шурупа. Это облегчит закручивание шурупа и предотвратит возникновение трещин в детали.

Сверление

Сначала поверните регулировочное кольцо, чтобы совместить указатель со стрелкой . Затем действуйте следующим образом.

Сверление дерева

При сверлении дерева наилучшие результаты достигаются с применением сверл для дерева с направляющим винтом. Направляющий винт упрощает сверление, удерживая головку сверла в обрабатываемой детали.

Сверление металла

Для предотвращения скольжения сверла при начале сверления сделайте углубление с помощью кернера и молотка в точке сверления. Вставьте острие головки сверла в углубление и начните сверление. При сверлении металлов пользуйтесь смазочно-охлаждающей жидкостью. Исключение составляют железо и латунь, которые надо сверлить насухо.

ВНИМАНИЕ: Чрезмерное нажатие на инструмент не ускорит сверление. На самом деле, чрезмерное давление только повредит наконечник головки сверла, снизит производительность инструмента и сократит срок его службы.

ВНИМАНИЕ: Крепко удерживайте инструмент и будьте осторожны, когда головка сверла начинает проходить сквозь обрабатываемую деталь. В момент выхода головки сверла из детали возникает огромное усилие на инструмент/сверло.


ВНИМАНИЕ: Заклинившая головка сверла может быть без проблем извлечена из обрабатываемой детали путем изменения направления вращения при помощи реверсивного переключателя. Однако если вы не будете крепко держать инструмент, он может резко сдвинуться назад.

ВНИМАНИЕ: Всегда закрепляйте обрабатываемые детали в тисках или аналогичном зажимном устройстве.

ВНИМАНИЕ: Если инструмент эксплуатировался непрерывно до разряда блока аккумулятора, сделайте перерыв на 15 минут перед началом работы с заряженным аккумулятором.

Использование инструмента в качестве ручной отвертки

► Рис.14

Выключите инструмент. Переведите рычаг реверсивного переключателя в нейтральное положение. Поверните регулировочное кольцо, чтобы совместить указатель с отметкой . Поворачивайте инструмент.

ПРИМЕЧАНИЕ: Такое использование удобно для проверки затяжки шурупов.

ПРИМЕЧАНИЕ: Не используйте инструмент при работах, связанных с перегрузками (затягивание болтов или выкручивание заржавевших винтов).

Использование кобуры

Дополнительные принадлежности

ВНИМАНИЕ: При использовании кобуры снимите насадку для отвертки/головку сверла с инструмента.

ВНИМАНИЕ: Перед тем, как положить инструмент в кобуру, выключите его и дождитесь полной остановки.

Убедитесь, что кобура прочно закрыта (используйте соответствующую кнопку) и инструмент зафиксирован.

1. Проденьте поясной ремень или его аналог через держатель кобуры.

► Рис.15: 1. Держатель кобуры 2. Поясной ремень

2. Положите инструмент в кобуру и закройте его с помощью кнопки на кобуре.

► Рис.16

► Рис.17

В передней части кобуры могут храниться две насадки для отвертки.

ОБСЛУЖИВАНИЕ

ВНИМАНИЕ: Перед проведением проверки или работ по техобслуживанию всегда проверяйте, что инструмент выключен, а блок аккумуляторов снят.

ПРИМЕЧАНИЕ: Запрещается использовать бензин, растворители, спирт и другие подобные жидкости. Это может привести к обесцвечиванию, деформации и трещинам.

Для обеспечения БЕЗОПАСНОСТИ и НАДЕЖНОСТИ оборудования ремонт, любое другое техобслуживание или регулировку необходимо производить в уполномоченных сервис-центрах Makita или сервис-центрах предприятия с использованием только сменных частей производства Makita.

ДОПОЛНИТЕЛЬНЫЕ ПРИНАДЛЕЖНОСТИ

ВНИМАНИЕ: Данные принадлежности или приспособления рекомендуются для использования с инструментом Makita, указанным в настоящем руководстве. Использование других принадлежностей или приспособлений может привести к получению травмы. Используйте принадлежность или приспособление только по указанному назначению.

Если вам необходимо содействие в получении дополнительной информации по этим принадлежностям, свяжитесь с вашим сервис-центром Makita.

- Головки сверл
- Насадки для отвертки
- Гнездовые биты
- Держатель насадок для отвертки
- Кобура
- Пластмассовый чемодан для переноски
- Крючок
- Оригинальный аккумулятор и зарядное устройство Makita

ПРИМЕЧАНИЕ: Некоторые элементы списка могут входить в комплект инструмента в качестве стандартных приспособлений. Они могут отличаться в зависимости от страны.

Makita Europe N.V. Jan-Baptist Vinkstraat 2,
3070 Kortenberg, Belgium

Makita Corporation 3-11-8, Sumiyoshi-cho,
Anjo, Aichi 446-8502 Japan

www.makita.com

885672-985
EN, SV, NO, FI, LV,
LT, ET, RU
20180802